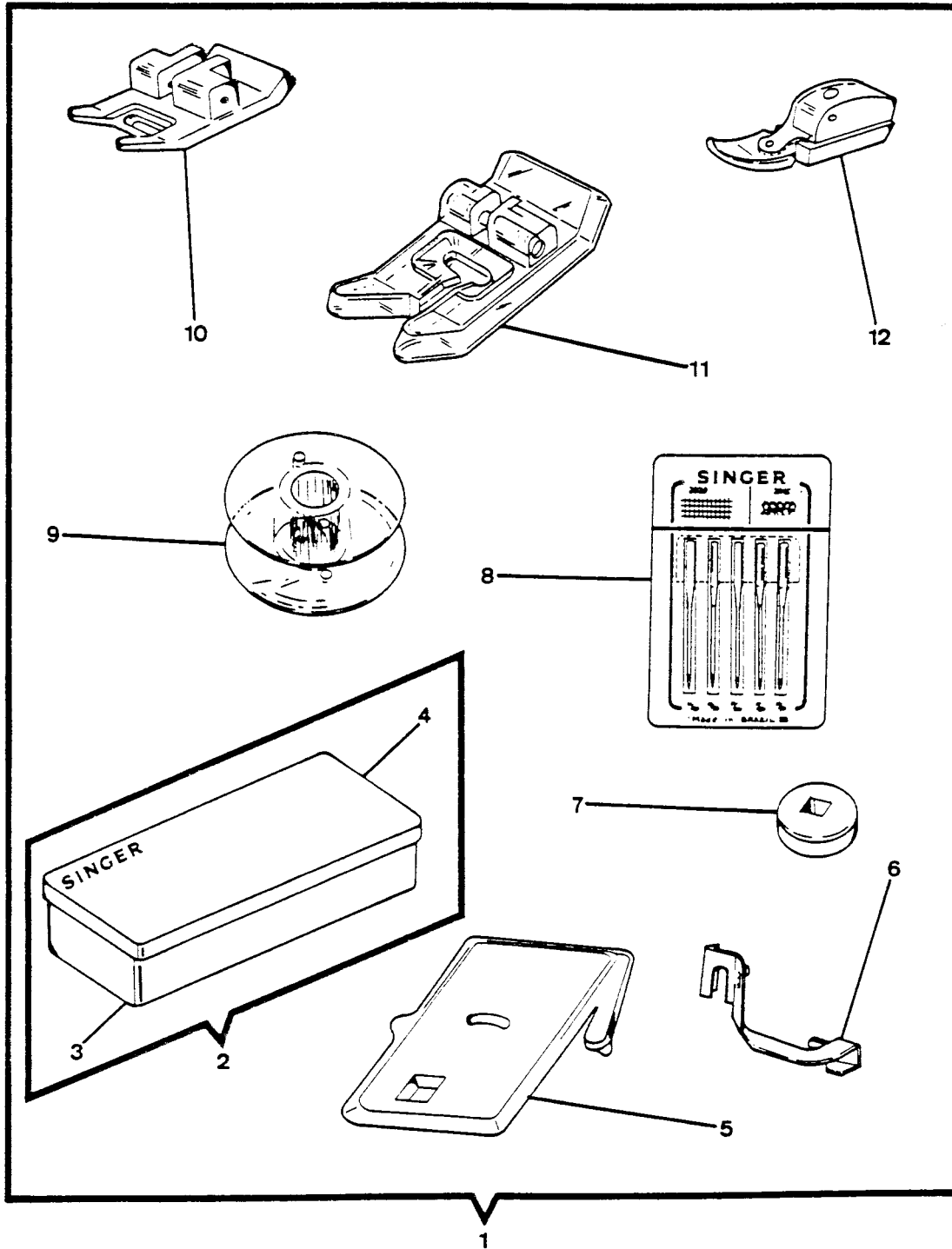


SINGER
5802/5805/5806/5808/5810

INDEX

PAGE NBR	SUB-ASSEMBLY
01 - 02	ATTACHMENT SET
03 - 04	ARM, BED, THROAT PLATE & BED SLIDE
05 - 10	COVERS & ADD-ONS
11 - 14	NEEDLE BAR, PRESSER BAR & TAKE-UP
15 - 16	ARM SHAFT DRIVE
17 - 18	HAND WHEEL
19 - 20	TENSION MECHANISM
21 - 22	HOOK SYSTEM
23 - 24	BIGHT AMPLITUDE
25 - 26	NEEDLE POSITION
27 - 28	DISC SELECTOR ASSEMBLY
29 - 30	CAM STACK
31 - 34	FEED REGULATOR CAM
33 - 38	BUTTONHOLER & FEED REGULATOR CAM
39 - 40	CAM CONTROLLED FEED
41 - 42	FEED SYSTEM
43 - 44	OPTIONS
45 - 51	ELECTRICAL EQUIPMENT

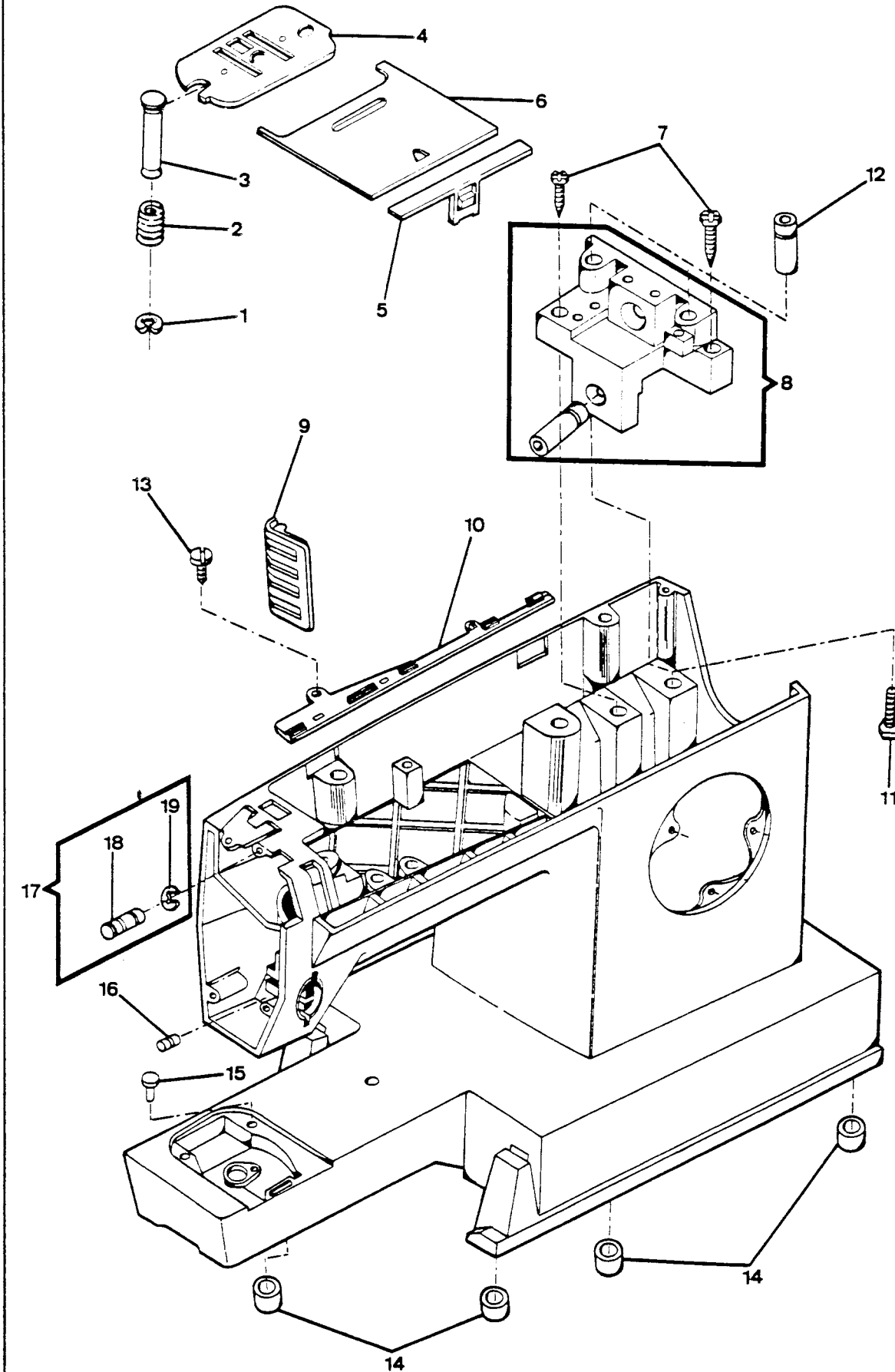
ATTACHMENT SET



PART LIST
ATTACHMENT SET

REF.	PART NBR	DESCRIPTION	5	5	5	5	5
			8	8	8	8	8
			0	0	0	0	1
			2	5	6	8	0
01	446495	ATTACHMENT SET COMPLETE	X				
01	446496	ATTACHMENT SET COMPLETE		X	X	X	X
	446495-005	ATTACHMENT SET COMPLETE WITH LABEL	X				
	446496-016	ATTACHMENT SET COMPLETE WITH LABEL		X			
	446496-017	ATTACHMENT SET COMPLETE WITH LABEL			X		
	446496-018	ATTACHMENT SET COMPLETE WITH LABEL				X	
	446496-019	ATTACHMENT SET COMPLETE WITH LABEL					X
02	446150-454	ATTACHMENT BOX COMPLETE	X	X	X	X	X
03	446148-454	ATTACHMENT BOX BASE (PLASTIC)	X	X	X	X	X
04	446149-454	ATTACHMENT BOX COVER (PLASTIC)	X	X	X	X	X
05	313117	FEED COVER PLATE	X	X	X	X	X
06	381213	BLIND STITCH GUIDE		X	X	X	X
07	507664-459	ARM TOP COVER SPOOL PIN THREAD LEAD-OFF	X	X	X	X	X
08	353364	NEEDLE PACK (INCLUDES 1 E A N2020 SIZE 11/14/16 & N2045 SIZE 11/14)	X	X	X	X	X
09	172336	BOBBIN (PLASTIC)	X	X	X	X	X
10	446492-451	SPECIAL PURPOSE PRESSER FOOT (SNAP-ON)		X	X	X	X
11	161927	PRESSER FOOT PLATE (SNAP-ON) FOR SEWING BUTTONHOLES		X	X	X	X
12	507836	PRESSER FOOT PLATE (SNAP-ON) COMPLETE FOR CORDING & SLIDE FASTENERS		X	X	X	X

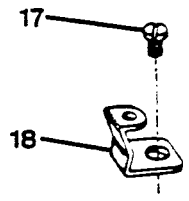
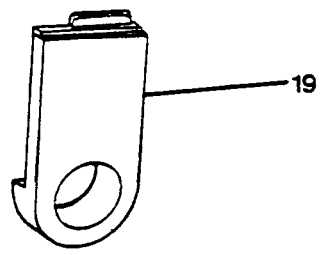
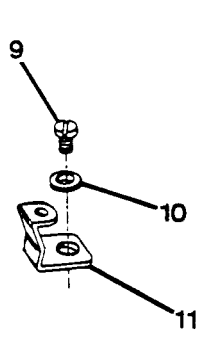
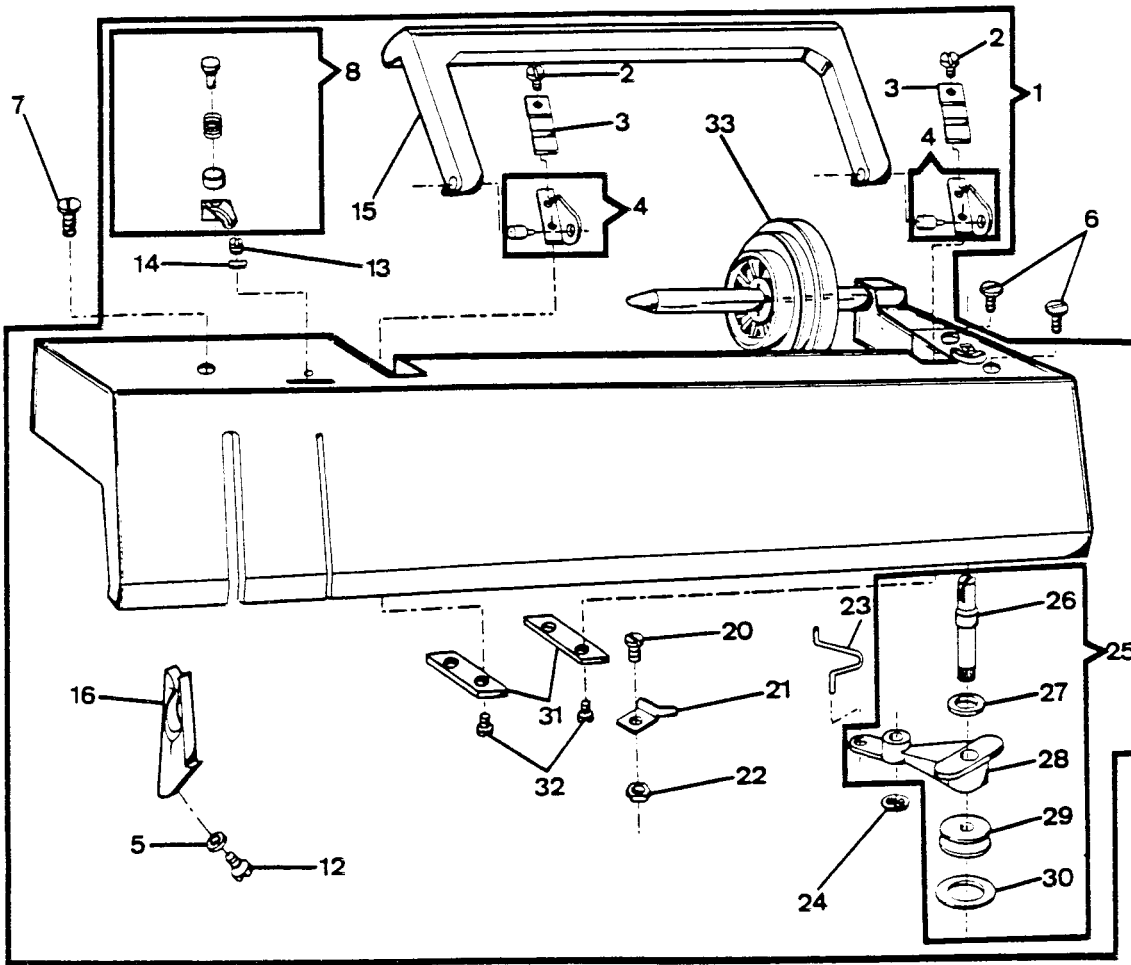
ARM, BED, THROAT PLATE & BED SLIDE



PART LIST
ARM, BED, THROAT PLATE & BED SLIDE

REF.	PART NBR	DESCRIPTION	5	5	5	5	5
			8	8	8	8	8
			0	0	0	0	1
			2	5	6	8	0
01	179926	THROAT PLATE CLAMP SPRING RETAINING RING	X	X	X	X	X
02	353494	THROAT PLATE CLAMP SPRING	X	X	X	X	X
03	353597	THROAT PLATE CLAMP	X	X	X	X	X
04	312777	THROAT PLATE FOR ZIG-ZAG SEWING	X	X	X	X	X
05	446482	BED SLIDE SPRING (SNAP-ON)	X	X	X	X	X
06	446481	BED SLIDE	X	X	X	X	X
07	113455-006	ARM SHAFT (REAR) HOUSING MOUNTING SCREW	X	X	X	X	X
08	446347	ARM SHAFT (REAR) HOUSING ASSEMBLY	X	X	X	X	X
09	353360-451	ARM INSERT MOTOR VENT GRILL	X	X	X	X	X
10	356049-900	FILLER PLATE	X				
10	356111-451	FILLER PLATE		X			
10	356112-451	FILLER PLATE			X	X	X
11	446349-451	ARM SHAFT (REAR) HOUSING MOUNTING BOLT	X	X	X	X	X
12	446465	ARM TOP COVER SUPPORT STUD	X	X	X	X	X
13	113455-001	FILLER PLATE SCREW	X	X	X	X	X
14	353559-451	BED CUSHION	X	X	X	X	X
15	353624	THROAT PLATE POSITION PIN	X	X	X	X	X
16	446358	TENSION RELEASING LEVER HINGE PIN	X	X	X	X	X
17	353623	THREAD TAKE-UP LEVER LINK HINGE STUD WITH RING	X	X	X	X	X
18	446375	THREAD TAKE-UP LEVER LINK HINGE STUD	X	X	X	X	X
19	353215	THREAD TAKE-UP LEVER LINK RETAINING RING	X	X	X	X	X

COVERS & ADD-ONS



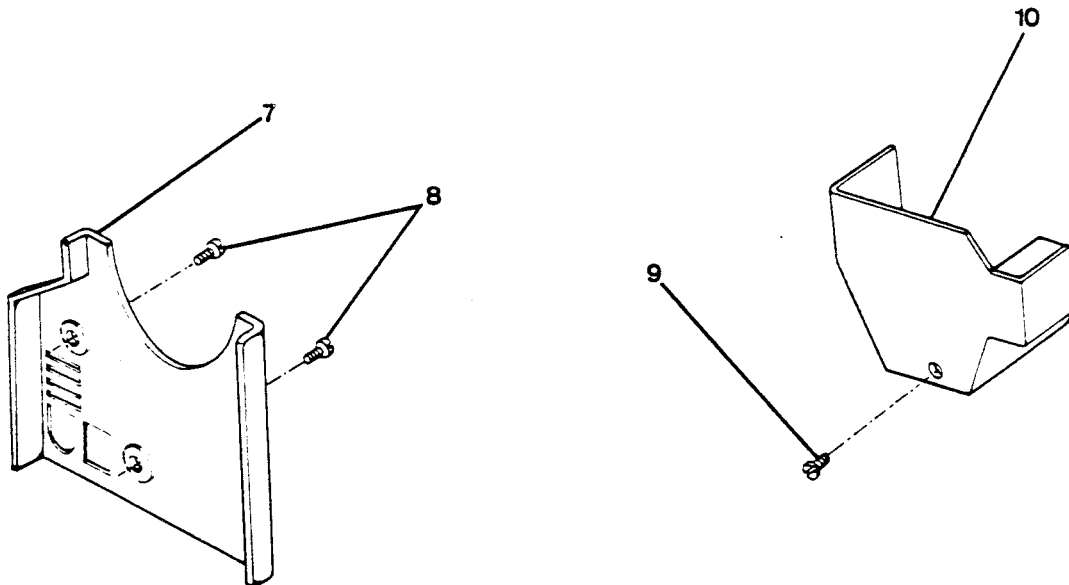
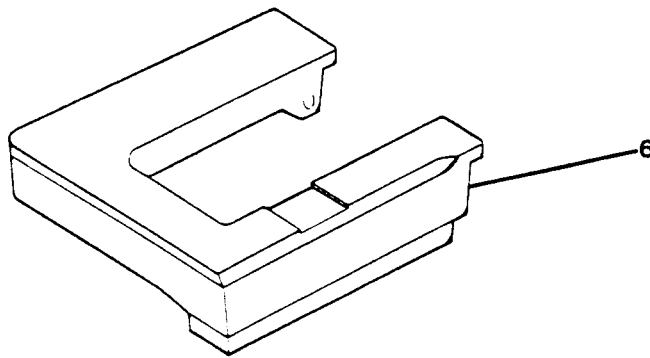
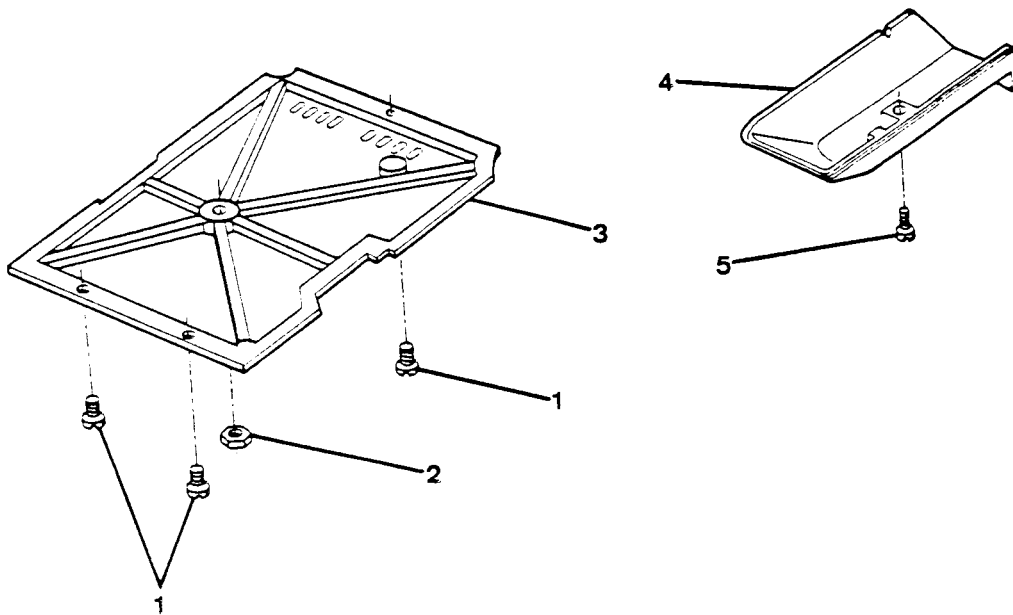
From the library of: Diamond Needle Corp

PART LIST
COVERS & ADD-ONS

5 5 5 5 5
8 8 8 8 8
0 0 0 0 1
2 5 6 8 0

REF.	PART NBR	DESCRIPTION						
01	356038-451	ARM TOP COVER COMPLETE	X					
01	356099-451	ARM TOP COVER COMPLETE		X				
01	356102-451	ARM TOP COVER COMPLETE			X			
01	356105-451	ARM TOP COVER COMPLETE				X		
01	356108-451	ARM TOP COVER COMPLETE					X	
02	356161-451	ARM TOP COVER HANDLE BRACKET SCREW	X	X	X	X	X	X
03	314485	ARM TOP COVER MACHINE HANDLE SPRING	X	X	X	X	X	X
04	314486	ARM TOP COVER MACHINE HANDLE HINGE BRACKET	X	X	X	X	X	X
05	179957	ARM TOP COVER THREAD GUIDE SCREW WASHER	X	X	X	X	X	X
06	354895-453	ARM TOP COVER MOUNTING SCREW (RIGHT REAR & FRONT)	X	X	X	X	X	X
07	354975-451	ARM TOP COVER SCREW	X	X	X	X	X	X
08	356047	BOBBIN WINDER TENSION COMPLETE	X	X	X	X	X	X
09	354826-451	ARM TOP COVER MOUNTING BRACKET (LEFT) SET SCREW	X	X	X	X	X	X
10	445765	ARM TOP COVER MOUNTING BRACKET (LEFT) SET SCREW WASHER	X	X	X	X	X	X
11	531765	ARM TOP COVER MOUNTING BRACKET (LEFT)	X	X	X	X	X	X
12	356116-451	ARM TOP COVER THREAD GUIDE SCREW	X	X	X	X	X	X
13	141936-833	BOBBIN WINDER TENSION BRACKET ADJUSTING SCREW	X	X	X	X	X	X
14	44794	BOBBIN WINDER TENSION BRACKET ADJUSTING SCREW RETAINING CLIP	X	X	X	X	X	X
15	356044-451	ARM TOP COVER MACHINE HANDLE	X	X	X	X	X	X
16	356126-451	ARM TOP COVER THREAD GUIDE	X	X	X	X	X	X
17	113455-001	ARM TOP COVER MOUNTING BRACKET (RIGHT) SCREW	X	X	X	X	X	X
18	356178	ARM TOP COVER MOUNTING BRACKET (RIGHT)	X	X	X	X	X	X
19	356173-451	ARM TOP COVER SHROUDED	X	X	X	X	X	X
20	141920-453	BOBBIN WINDER STOP SCREW	X	X	X	X	X	X
21	445924	BOBBIN WINDER STOP	X	X	X	X	X	X
22	53640-819	BOBBIN WINDER STOP SCREW NUT	X	X	X	X	X	X
23	531766	BOBBIN WINDER SPRING	X	X	X	X	X	X
24	445486	BOBBIN WINDER RETAINING RING	X	X	X	X	X	X
25	531767	BOBBIN WINDER ASSEMBLY	X	X	X	X	X	X
26	531768	BOBBIN WINDER SPINDLE COMPLETE	X	X	X	X	X	X
27	543531	BOBBIN WINDER SPINDLE WASHER	X	X	X	X	X	X
28	531770-451	BOBBIN WINDER FRAME	X	X	X	X	X	X
29	44440	BOBBIN WINDER PULLEY	X	X	X	X	X	X
30	15287-701	BOBBIN WINDER FRICTION RING	X	X	X	X	X	X
31	314561	ARM TOP COVER HANDLE BRACKET NUT PLATE	X	X	X	X	X	X
32	356161-451	ARM TOP COVER HANDLE BRACKET SCREW	X	X	X	X	X	X
33	179967-451	ARM TOP COVER SPOOL PIN THREAD LEAD OFF	X	X	X	X	X	X

COVERS & ADD-ONS (CONT.)



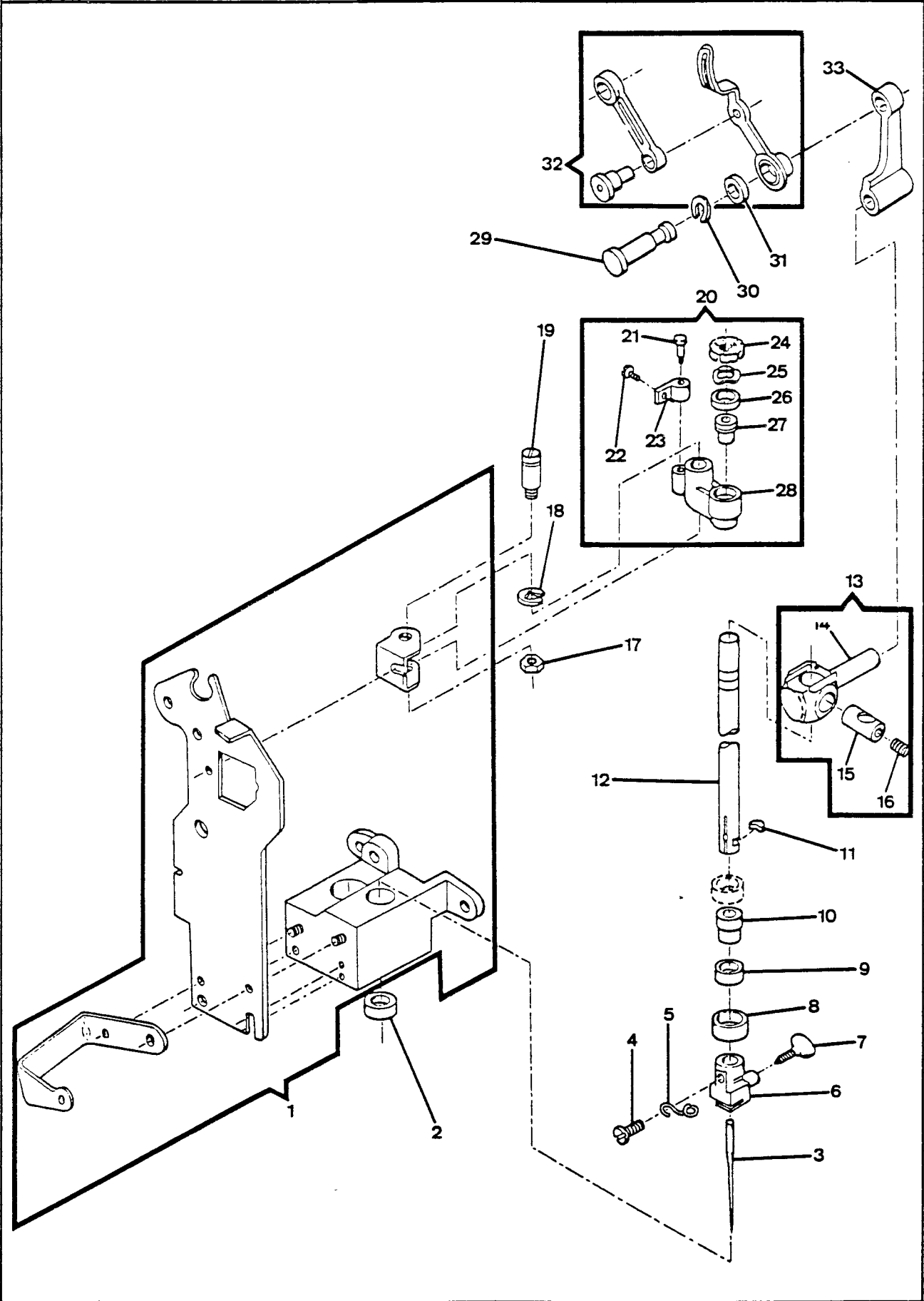
PART LIST
COVERS & ADD-ONS (CONT.)

REF.	PART NBR	DESCRIPTION	5	5	5	5	5
			8	8	8	8	8
			0	0	0	0	1
			2	5	6	8	0
01	113455-001	BED (BOTTOM) COVER FASTENING SCREW	X	X	X	X	X
02	514608	BED (BOTTOM) COVER FASTENING NUT	X	X	X	X	X
03	353587-451	BED (BOTTOM) COVER (PLASTIC)	X	X	X	X	X
04	446493-451	BED (TUBULAR) BOTTOM COVER (PLASTIC)	X	X	X	X	X
05	354895-453	BED (TUBULAR) BOTTOM COVER FASTENING SCREW	X	X	X	X	X
06	356027-451	BED EXTENSION PLATE (PLASTIC)	X	X	X	X	X
07		REFER TO CHARTS ON FOLLOWING PAGE					
08	354637-453	ARM END COVER SCREW	X	X	X	X	X
09	354133-453	FACE PLATE SCREW	X	X	X	X	X
10	356051-451	FACE PLATE COMPLETE (WITHOUT GRILLE)	X	X	X	X	X
10	356235-451	FACE PLATE COMPLETE (WITH GRILLE)	X	X	X	X	X

ARM END COVER

PART NBR	EUROPE	UK	USA CANADA	AUSTR.	NON-REG EUROPE	INT. GROUP	INT. GROUP	CYPRUS	
531894-049	X								5802
-050		X							5802
-051			X						5802
-052				X					5802
-053					X				5802
-054						X			5802
-055							X		5802
-056								X	5802
-057	X								5805
-058		X							5805
-059			X						5805
-060				X					5805
-061					X				5805
-062						X			5805
-063							X		5805
-064								X	5805
-065	X								5806
-066		X							5806
-067			X						5806
-068				X					5806
-069					X				5806
-070						X			5806
-071							X		5806
-072								X	5806
-073	X								5808
-074		X							5808
-075			X						5808
-076				X					5808
-077					X				5808
-078						X			5808
-079							X		5808
-080								X	5808
-081	X								5810
-082		X							5810
-083			X						5810
-084				X					5810
-085					X				5810
-086						X			5810
-087							X		5810
-088								X	5810

NEEDLE BAR, PRESSER BAR & TAKE-UP



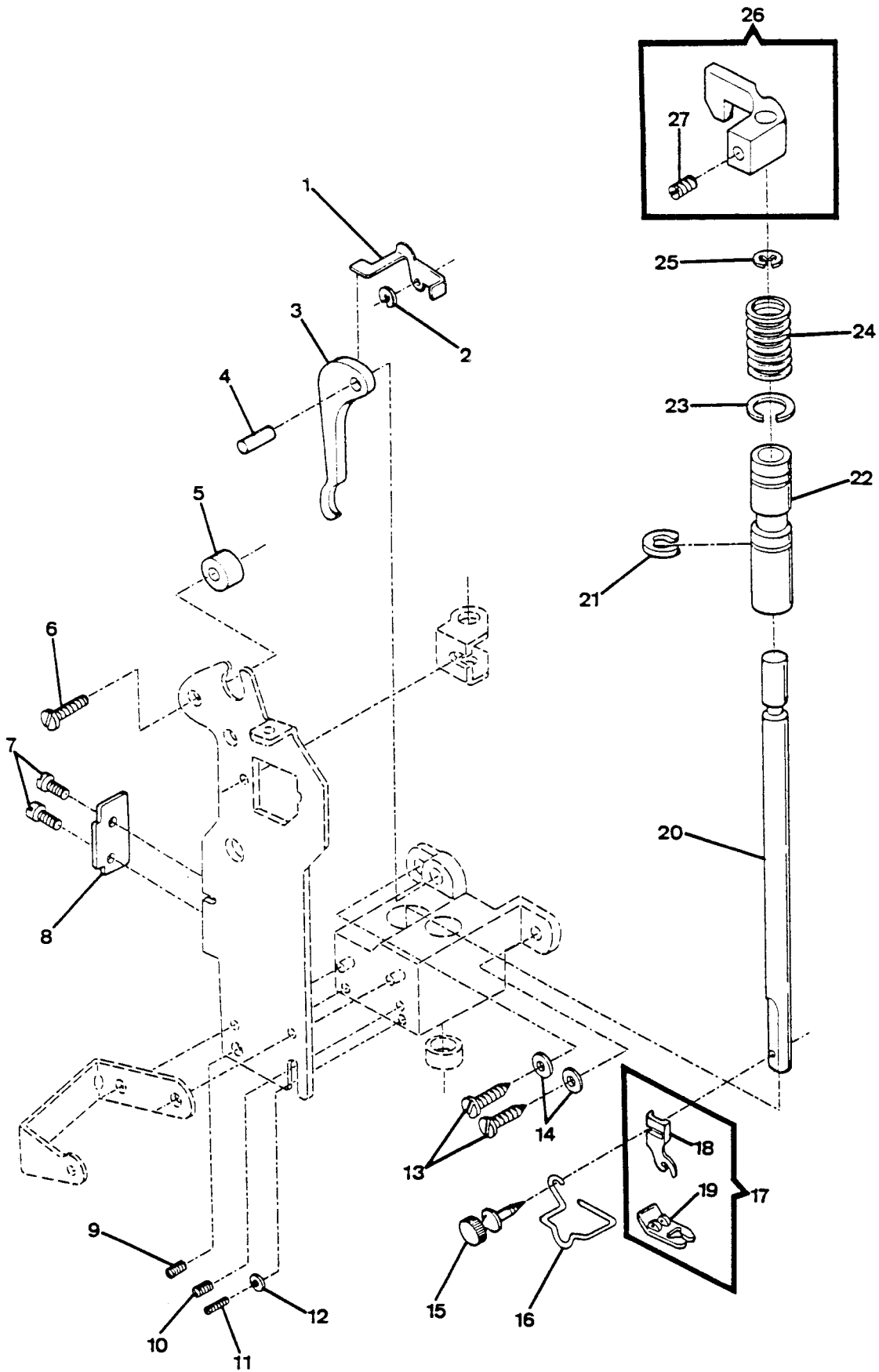
From the library of: Diamond Needle Corp

PART LIST
NEEDLE BAR, PRESSER BAR & TAKE-UP

REF.	PART NBR	DESCRIPTION	5	5	5	5	5
			8	8	8	8	8
			0	0	0	0	1
			2	5	6	8	0
01	353490	NEEDLE BAR, PRESSER BAR & VIBRATING BRACKET HOUSING COMPLETE	X	X	X	X	X
02	44450	NEEDLE BAR BALL BUSHING (LOWER) SOCKET (UPPER)	X	X	X	X	X
03	204514-100	NEEDLE (SIZE NBR 14)	X	X	X	X	X
04	141808-451	NEEDLE CLAMP BODY, NEEDLE CLAMP THREAD GUIDE & NEEDLE STOP SCREW	X	X	X	X	X
05	353629	NEEDLE CLAMP THREAD GUIDE	X	X	X	X	X
06	353630	NEEDLE CLAMP BODY	X	X	X	X	X
07	113413-451	NEEDLE THUMB SCREW	X	X	X	X	X
08	446361	NEEDLE BAR BALL BUSHING (LOWER) ADJUSTING COLLAR	X	X	X	X	X
09	507379	NEEDLE BAR BALL BUSHING (LOWER) SOCKET	X	X	X	X	X
10	446355-001	NEEDLE BAR BALL BUSHING (LOWER)	X	X	X	X	X
11	37943	NEEDLE BAR GIB	X	X	X	X	X
12	445793	NEEDLE BAR	X	X	X	X	X
13	353549-940	NEEDLE BAR CONNECTING STUD WITH HINGE PIN	X	X	X	X	X
14	353549	NEEDLE BAR CONNECTING STUD	X	X	X	X	X
15	37931	NEEDLE BAR CONNECTING STUD HINGE PIN	X	X	X	X	X
16	141916-833	NEEDLE BAR CLAMP SCREW	X	X	X	X	X
17	353402-451	NEEDLE BAR VIBRATING BRACKET HINGE PIN NUT	X	X	X	X	X
18	445721	NEEDLE BAR VIBRATING BRACKET HINGE PIN RETAINING RING	X	X	X	X	X
19	446359	NEEDLE BAR VIBRATING BRACKET HINGE PIN	X	X	X	X	X
20	353520	NEEDLE BAR VIBRATING BRACKET COMPLETE	X	X	X	X	X
21	37935	NEEDLE BAR DRIVING ARM HINGE BRACKET HINGE PIN	X	X	X	X	X
22	141844-819	NEEDLE BAR DRIVING ARM HINGE BRACKET SCREW	X	X	X	X	X
23	446190	NEEDLE BAR DRIVING ARM HINGE BRACKET	X	X	X	X	X
24	353522	NEEDLE BAR BALL BUSHING (UPPER) RETAINING RING	X	X	X	X	X
25	353424	NEEDLE BAR BALL BUSHING (UPPER) WAVED WASHER	X	X	X	X	X
26	507379	NEEDLE BAR BALL BUSHING (UPPER) SOCKET	X	X	X	X	X
27	446355-001	NEEDLE BAR BALL BUSHING (UPPER)	X	X	X	X	X
28	353521	NEEDLE BAR VIBRATING BRACKET	X	X	X	X	X
29	446260	THREAD TAKE-UP STUD	X	X	X	X	X
30	445486	THREAD TAKE-UP STUD RETAINING RING	X	X	X	X	X
31	543531	THREAD TAKE-UP STUD THRUST WASHER	X	X	X	X	X
32	445672	THREAD TAKE-UP LEVER ASSEMBLY	X	X	X	X	X
33	446357	NEEDLE BAR CONNECTING LINK	X	X	X	X	X

From the library of: Diamond Needle Corp

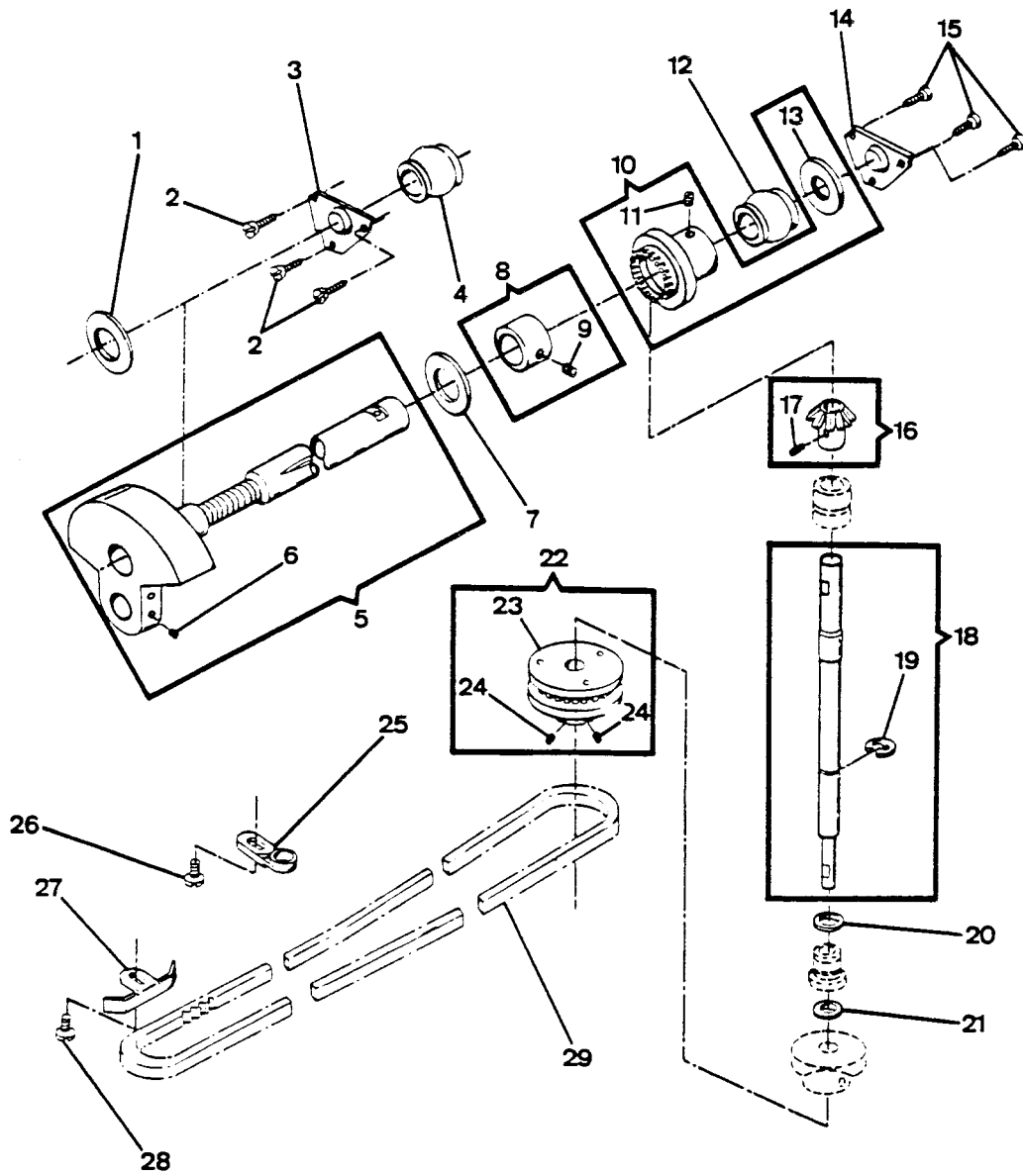
NEEDLE BAR, PRESSER BAR & TAKE-UP (CONT.)



PART LIST
NEEDLE BAR, PRESSER BAR & TAKE-UP (CONT.)

REF.	PART NBR	DESCRIPTION	5	5	5	5	5
			8	8	8	8	8
			0	0	0	0	1
			2	5	6	8	0
01	445925	TENSION RELEASING LEVER	X	X	X	X	X
02	445486	TENSION RELEASING LEVER RETAINING RING	X	X	X	X	X
03	446356	PRESSER BAR LIFTER	X	X	X	X	X
04	446354-451	PRESSER BAR LIFTER HINGE PIN	X	X	X	X	X
05	531627	NEEDLE BAR, PRESSER BAR & VIBRATING BRACKET HOUSING MOUNTING BUSHING	X	X	X	X	X
06	113455-005	NEEDLE BAR & PRESSER BAR VIBRATING BRACKET HOUSING MOUNTING SCREW	X	X	X	X	X
07	141913-451	PRESSER BAR GUIDE BRACKET POSITIONER SCREW	X	X	X	X	X
08	446353	PRESSER BAR GUIDE BRACKET POSITIONER	X	X	X	X	X
09	141938-833	NEEDLE BAR BALL BUSHING (LOWER) ADJUSTING COLLAR SET SCREW	X	X	X	X	X
10	354906-451	PRESSER BAR BALL BUSHING SET SCREW	X	X	X	X	X
11	354993-451	NEEDLE BAR OVER THROW SET SCREW	X	X	X	X	X
12	54591-451	NEEDLE BAR OVER THROW SET SCREW NUT	X	X	X	X	X
13	113434-451	NEEDLE BAR, PRESSER BAR & VIBRATING BRACKET HOUSING MOUNTING SCREW (LOWER)	X	X	X	X	X
14	353375-451	NEEDLE BAR, PRESSER BAR & VIBRATING BRACKET HOUSING MOUNTING SCREW (LOWER) WASHER	X	X	X	X	X
15	354135-452	PRESSER FOOT THUMB SCREW	X	X	X	X	X
16	116863	FINGER GUARD (FOR EUROPE ONLY)	X	X	X	X	X
17	446372	PRESSER FOOT (SNAP-ON) COMPLETE FOR ZIG-ZAG SEWING	X	X	X	X	X
18	155964	PRESSER FOOT SHANK (SNAP-ON)	X	X	X	X	X
19	446371	PRESSER FOOT PLATE (SNAP-ON) FOR ZIG-ZAG SEWING	X	X	X	X	X
20	314638	PRESSER BAR	X	X	X	X	X
21	353252	PRESSER BAR BUSHING LOCATOR RING	X	X	X	X	X
22	445947-001	PRESSER BAR BUSHING	X	X	X	X	X
23	353252	PRESSER BAR SPRING RETAINING RING	X	X	X	X	X
24	353214	PRESSER BAR SPRING	X	X	X	X	X
25	353215	PRESSER BAR SPRING RETAINING RING (UPPER)	X	X	X	X	X
26	353212	PRESSER BAR GUIDE BRACKET ASSEMBLY	X	X	X	X	X
27	141925-833	PRESSER BAR GUIDE BRACKET SET SCREW	X	X	X	X	X

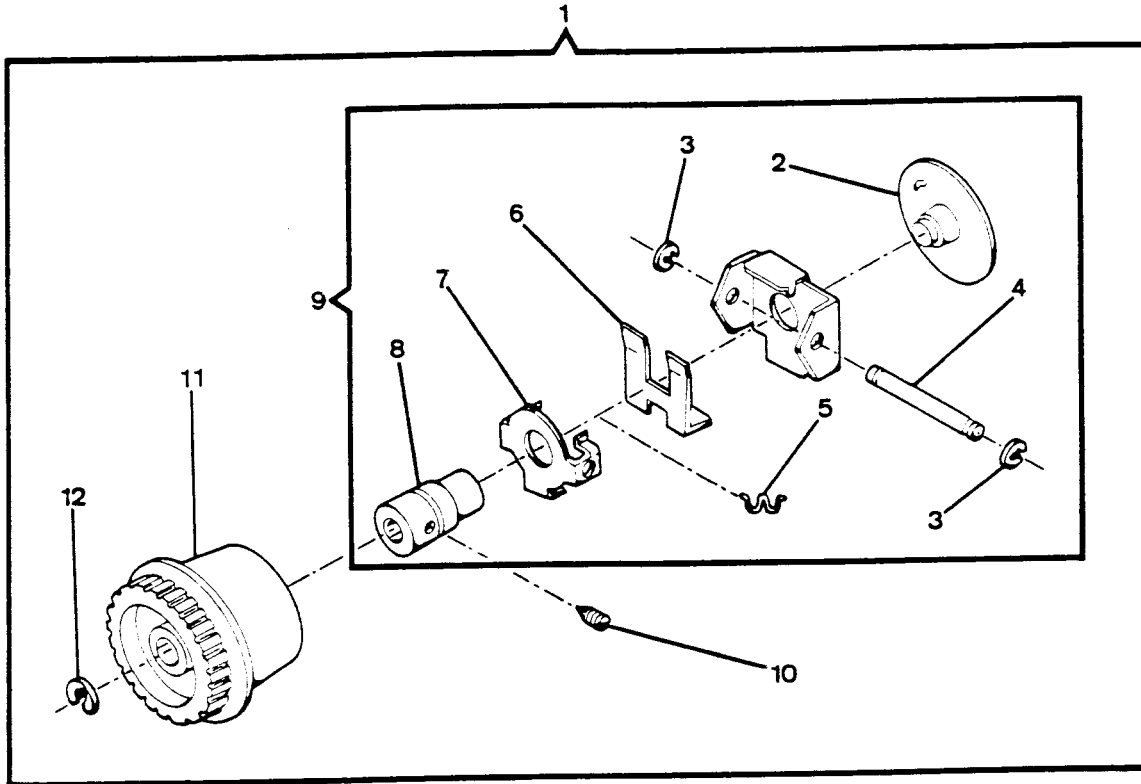
ARM SHAFT DRIVE



PART LIST
ARM SHAFT DRIVE

REF.	PART NBR	DESCRIPTION	5	5	5	5	5
			8	8	8	8	8
			0	0	0	0	1
			2	5	6	8	0
01	319764	ARM SHAFT (HORIZONTAL) RETAINING COLLAR WASHER	X	X	X	X	X
02	113455-001	ARM SHAFT BUSHING (FRONT) RETAINING BRACKET SCREW	X	X	X	X	X
03	446385	ARM SHAFT BUSHING (FRONT) RETAINING BRACKET	X	X	X	X	X
04	446384	ARM SHAFT BUSHING (FRONT)	X	X	X	X	X
05	531684	ARM SHAFT COMPLETE	X	X	X	X	X
06	354105-833	NEEDLE BAR CRANK POSITION SET SCREW	X	X	X	X	X
07	319764	ARM SHAFT (HORIZONTAL) RETAINING COLLAR WASHER					
08	353580	ARM SHAFT (HORIZONTAL) RETAINING COLLAR WITH SCREW	X	X	X	X	X
09	113500-451	ARM SHAFT (HORIZONTAL) RETAINING COLLAR SET SCREW	X	X	X	X	X
10	353272	ARM SHAFT (HORIZONTAL) BEVEL GEAR & FEED LIFTING ECCENTRIC	X	X	X	X	X
11	354813-451	ARM SHAFT (HORIZONTAL) BEVEL GEAR & FEED LIFTING ECCENTRIC SET SCREW	X	X	X	X	X
12	446384	ARM SHAFT BUSHING					
13	353413	ARM SHAFT (HORIZONTAL) BEVEL GEAR & FEED ECCENTRIC WASHER (PLASTIC)	X	X	X	X	X
14	446385	ARM SHAFT BUSHING RETAINING BRACKET	X	X	X	X	X
15	113455-001	ARM SHAFT BUSHING RETAINING BRACKET SCREW	X	X	X	X	X
16	353273	ARM SHAFT (UPRIGHT) BEVEL GEAR (PLASTIC)	X	X	X	X	X
17	354105-833	ARM SHAFT (UPRIGHT) BEVEL GEAR SET SCREW	X	X	X	X	X
18	179952	ARM SHAFT (UPRIGHT) ASSEMBLY	X	X	X	X	X
19	353215	ARM SHAFT (UPRIGHT) RETAINING RING	X	X	X	X	X
20	353394	ARM SHAFT (UPRIGHT) RETAINING RING WASHER	X	X	X	X	X
21	319826	ARM SHAFT (UPRIGHT) BELT DRIVE PULLEY WASHER	X	X	X	X	X
22	353438	ARM SHAFT (UPRIGHT) BELT DRIVE PULLEY ASSEMBLY COMPLETE	X	X	X	X	X
23	446230	ARM SHAFT (UPRIGHT) BELT DRIVE PULLEY	X	X	X	X	X
24	113518-451	ARM SHAFT (UPRIGHT) BELT DRIVE PULLEY RETAINING COLLAR SET SCREW	X	X	X	X	X
25	531630	ROTATING HOOK DRIVE BELT TENSION ADJUSTER	X	X	X	X	X
26	113453-003	ROTATING HOOK DRIVE BELT TENSIONER SCREW	X	X	X	X	X
27	446376	BELT RETAINER (LEFT)	X	X	X	X	X
28	113455-001	BELT RETAINER (LEFT) SCREW	X	X	X	X	X
29	446237	BELT (ROTATING HOOK DRIVE)	X	X	X	X	X

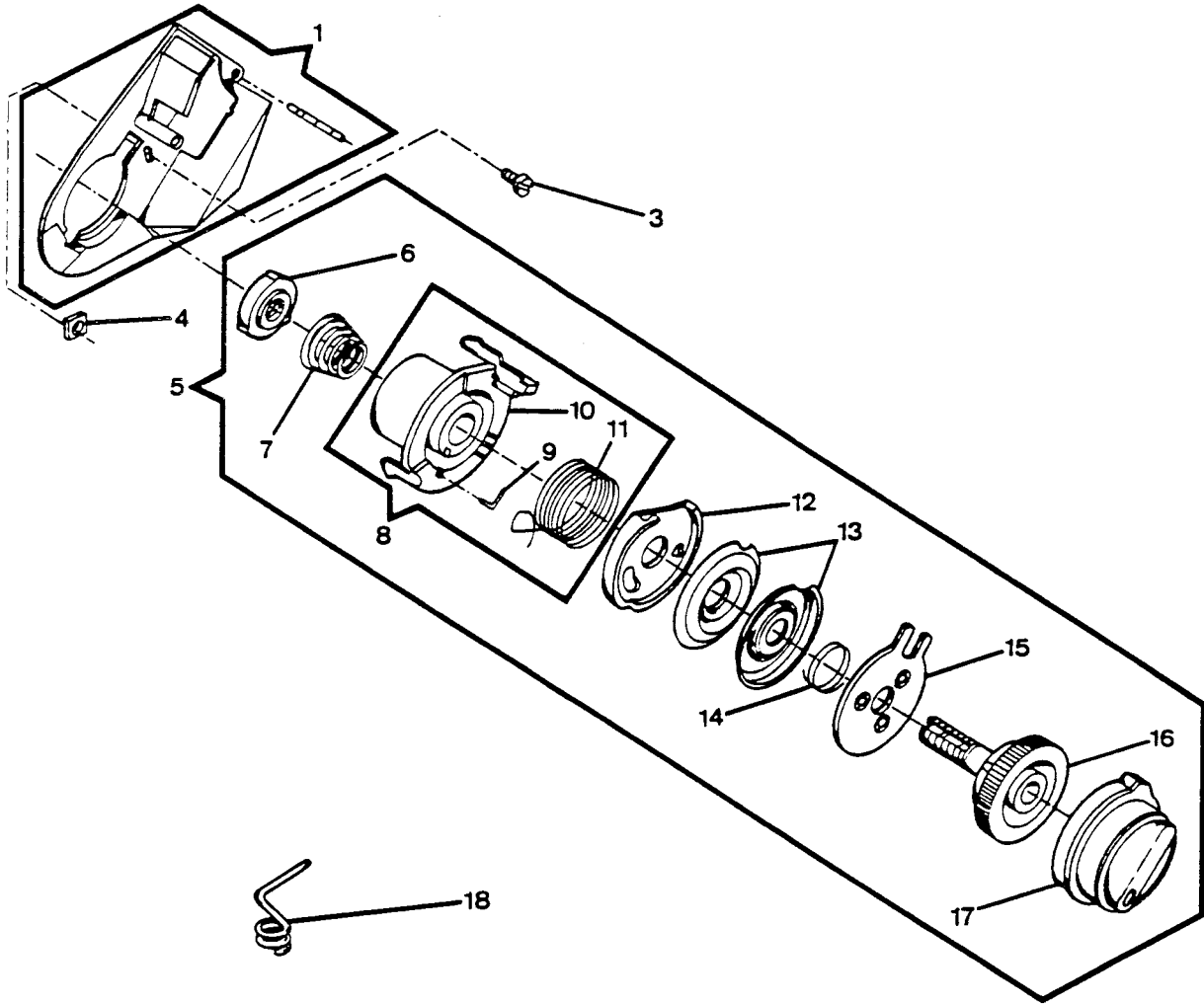
HAND WHEEL



PART LIST
HAND WHEEL

REF.	PART NBR	DESCRIPTION	5	5	5	5	5
			8	8	8	8	8
			0	0	0	0	1
			2	5	6	8	0
01	446391-451	HAND WHEEL (PLASTIC) COMPLETE	X	X	X	X	X
02	446297	HAND WHEEL DISENGAGING CLUTCH ENGAGING PLATE COVER	X	X	X	X	X
03	445721	HAND WHEEL DISENGAGING CLUTCH ENGAGING PLATE HINGE PIN RETAINING RING	X	X	X	X	X
04	319560	HAND WHEEL DISENGAGING CLUTCH ENGAGING PLATE HINGE PIN	X	X	X	X	X
05	531628	HAND WHEEL DISENGAGING CLUTCH ACTUATING SPRING	X	X	X	X	X
06	319567	HAND WHEEL DISENGAGING CLUTCH BUSHING PLATE RETAINING	X	X	X	X	X
07	319566	HAND WHEEL DISENGAGING CLUTCH BUSHING PLATE	X	X	X	X	X
08	446390	HAND WHEEL DISENGAGING CLUTCH BUSHING	X	X	X	X	X
09	446343	HAND WHEEL DISENGAGING CLUTCH BUSHING COMPLETE	X	X	X	X	X
10	354813-451	HAND WHEEL DISENGAGING CLUTCH BUSHING SCREW	X	X	X	X	X
11	446386-451	HAND WHEEL (PLASTIC) (ELECTRIC)	X	X	X	X	X
12	446387	HAND WHEEL RETAINING RING (TREADLE/ELECTRIC)	X	X	X	X	X

TENSION MECHANISM

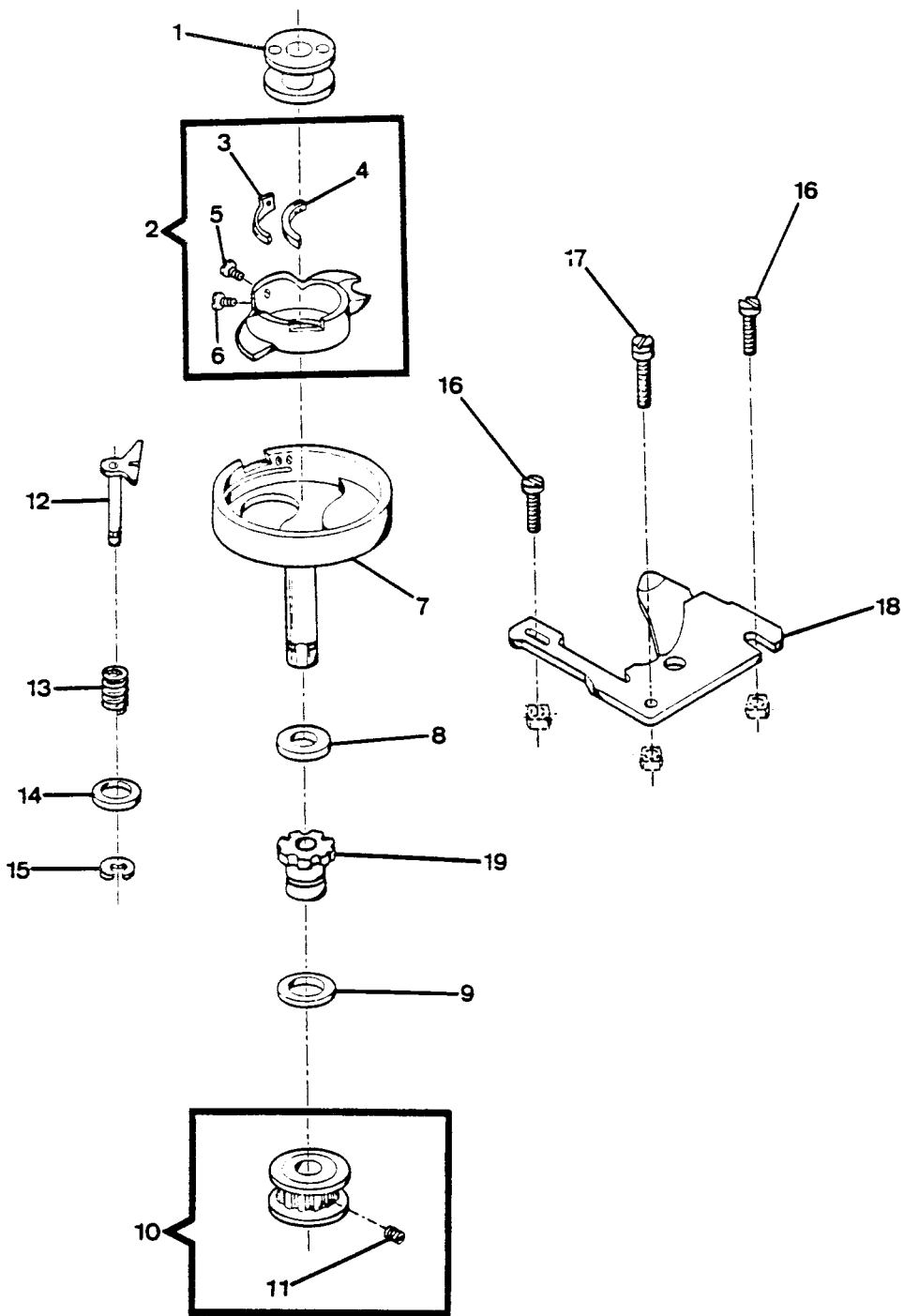


From the library of: Diamond Needle Corp

PART LIST
TENSION MECHANISM

REF.	PART NBR	DESCRIPTION	5	5	5	5	5
			8	8	8	8	8
			0	0	0	0	1
			2	5	6	8	0
01	356040-451	TENSION MECHANISM SHROUDER ASSEMBLY	X	X	X	X	X
03	355236-451	TENSION THREAD GUIDE SCREW	X	X	X	X	X
04	514698-451	TENSION THREAD GUIDE SCREW NUT	X	X	X	X	X
05	356088-451	TENSION MECHANISM ASSEMBLY	X	X	X	X	X
06	356095-901	TENSION STUD NUT	X	X	X	X	X
07	356096	TENSION SPRING	X	X	X	X	X
08	356245	TENSION MECHANISM SUPPORT ASSEMBLY	X	X	X	X	X
09	356246-900	TENSION MECHANISM SUPPORT PIN	X	X	X	X	X
10	356089	TENSION MECHANISM SUPPORT	X	X	X	X	X
11	356097	THREAD TAKE-UP SPRING	X	X	X	X	X
12	356091	THREAD TAKE-UP SPRING THREAD GUARD	X	X	X	X	X
13	356094	TENSION DISC	X	X	X	X	X
14	356216	TENSION DISC PRESSURE PLATE SPRING	X	X	X	X	X
15	356177	TENSION DISC PRESSURE PLATE	X	X	X	X	X
16	356092-451	TENSION INDICATOR WITH STUD	X	X	X	X	X
17	356090-451	TENSION INDICATOR DIAL	X	X	X	X	X
18	445784	THREAD GUIDE (LOWER)	X	X	X	X	X

HOOK SYSTEM

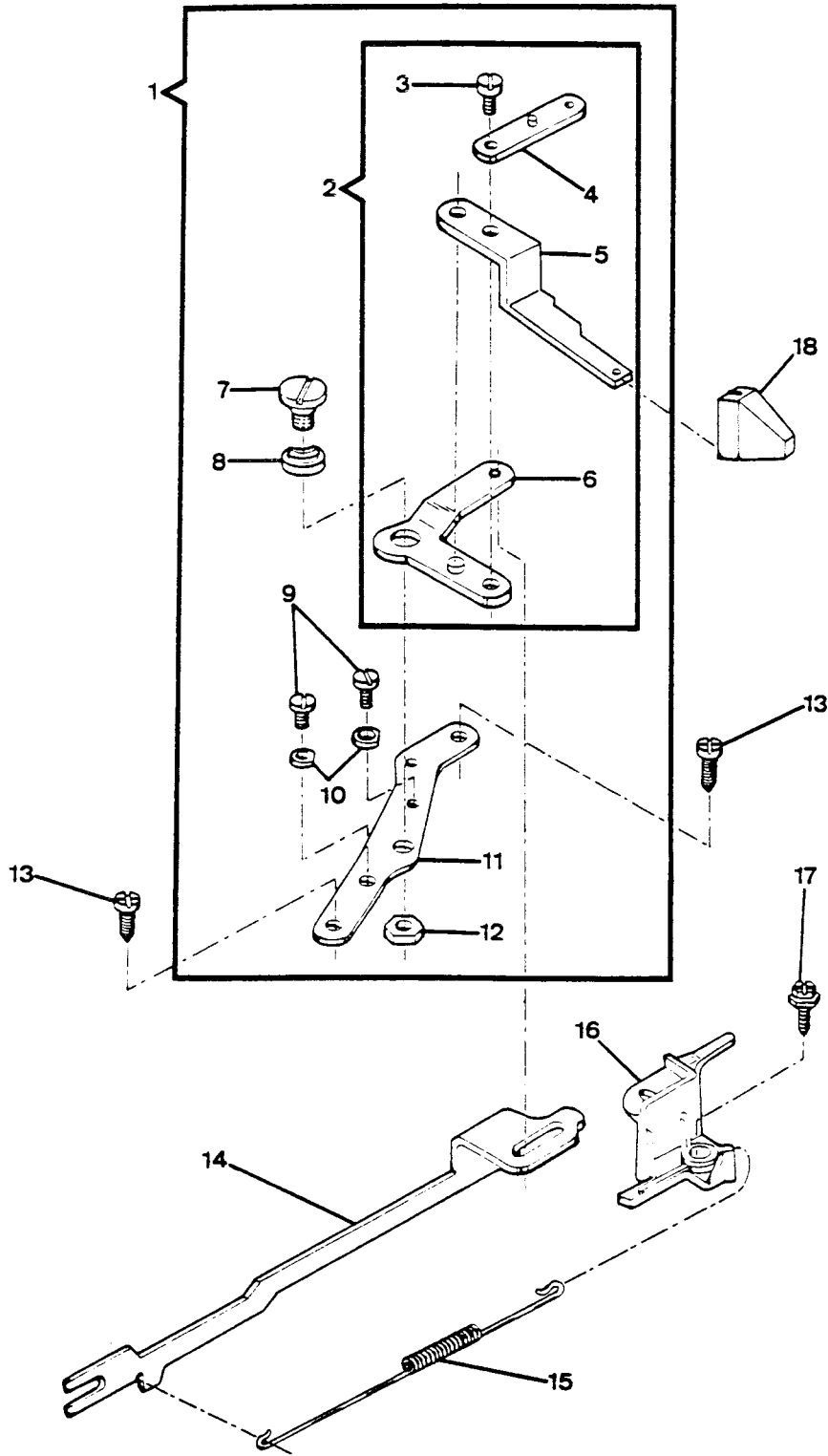


PART LIST
HOOK SYSTEM

5 5 5 5 5
8 8 8 8 8
0 0 0 0 1
2 5 6 8 0

REF.	PART NBR	DESCRIPTION					
01	172336	ROTATING HOOK BOBBIN (PLASTIC)	X	X	X	X	X
02	421325	ROTATING HOOK BOBBIN CASE	X	X	X	X	X
03	314715	ROTATING HOOK BOBBIN CASE TENSION SPRING	X	X	X	X	X
04	310884-451	ROTATING HOOK BOBBIN CASE TENSION SPRING SEGMENT	X	X	X	X	X
05	354183-452	ROTATING HOOK BOBBIN CASE TENSION REGULATING SCREW	X	X	X	X	X
06	139975-803	ROTATING HOOK BOBBIN CASE TENSION SPRING SEGMENT SCREW	X	X	X	X	X
07	353366	ROTATING HOOK COMPLETE	X	X	X	X	X
08	353453	ROTATING HOOK WEAR WASHER	X	X	X	X	X
09	382861-906	ROTATING HOOK BELT DRIVE PULLEY WASHER	X	X	X	X	X
10	446235	ROTATING HOOK BELT DRIVE PULLEY	X	X	X	X	X
11	141803-830	ROTATING HOOK BELT DRIVE PULLEY SCREW	X	X	X	X	X
12	353511	ROTATING HOOK BOBBIN CASE RETAINING PLATE ASSEMBLY	X	X	X	X	X
13	44892	ROTATING HOOK BOBBIN CASE RETAINING PLATE STUD SPRING	X	X	X	X	X
14	445808	ROTATING HOOK BOBBIN CASE RETAINING PLATE STUD WASHER	X	X	X	X	X
15	353509	ROTATING HOOK BOBBIN CASE RETAINING PLATE RETAINING RING	X	X	X	X	X
16	113430-451	ROTATING HOOK BOBBIN CASE POSITION PLATE SCREW	X	X	X	X	X
17	113430-451	ROTATING HOOK BOBBIN CASE RETAINING PLATE SCREW	X	X	X	X	X
18	44873-001	ROTATING HOOK BOBBIN CASE POSITION PLATE	X	X	X	X	X
19	353410	ROTATING HOOK FLANGED BUSHING (ECCENTRIC)	X	X	X	X	X

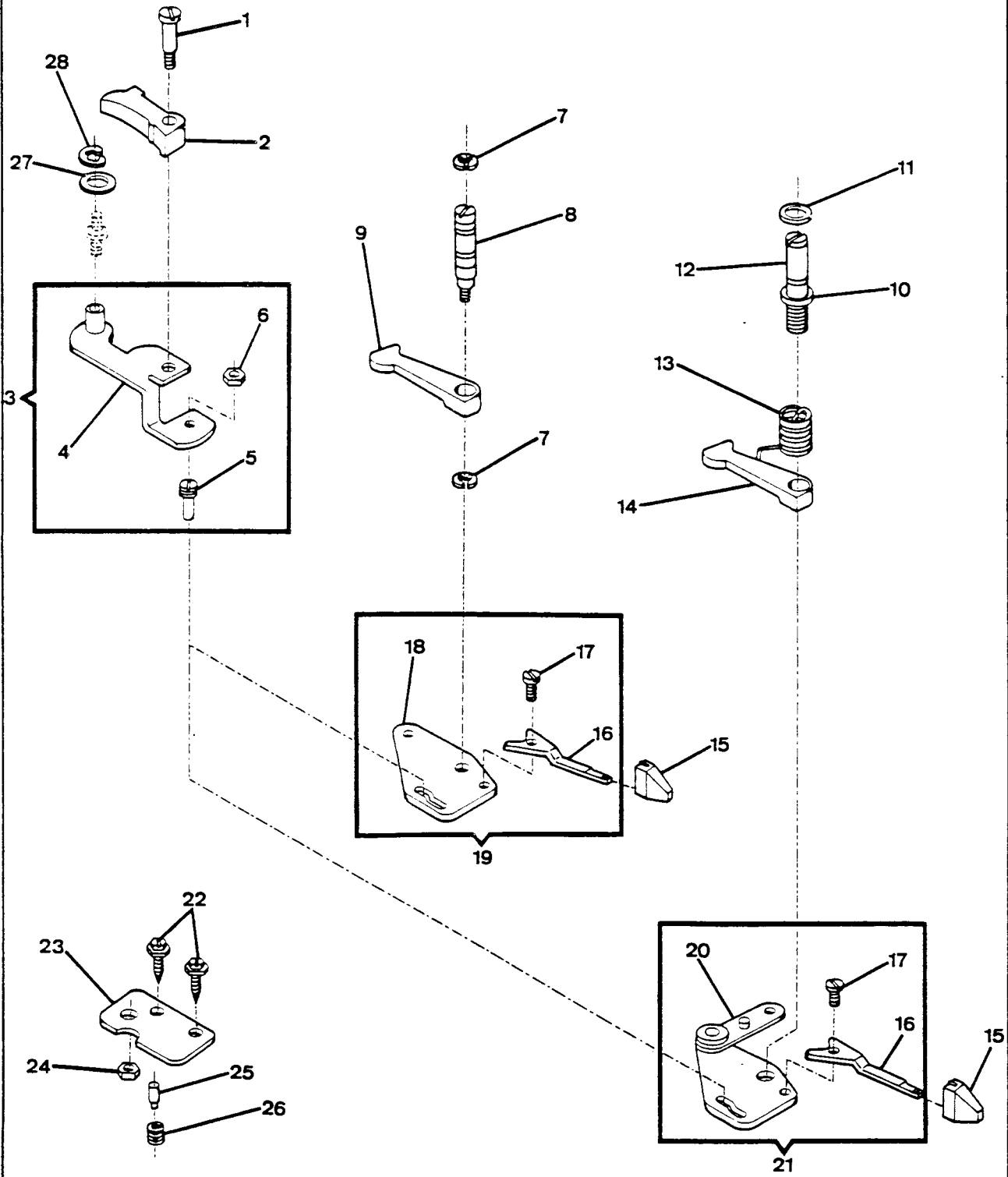
BIGHT AMPLITUDE



PART LIST
BIGHT AMPLITUDE

REF.	PART NBR	DESCRIPTION	5	5	5	5	5
			8	8	8	8	8
			0	0	0	0	1
			2	5	6	8	0
01	356057	BIGHT AMPLITUDE CONTROL LEVER MOUNTING BRACKET COMPLETE	X				
01	356113	BIGHT AMPLITUDE CONTROL LEVER MOUNTING BRACKET COMPLETE		X	X	X	X
02	356058	BIGHT AMPLITUDE CONTROL LEVER SUB-ASSEMBLY	X				
02	356114	BIGHT AMPLITUDE CONTROL LEVER SUB-ASSEMBLY		X	X	X	X
03	141913-451	BIGHT AMPLITUDE CONTROL LEVER SCREW	X				
03	139866-451	BIGHT AMPLITUDE CONTROL LEVER SCREW		X	X	X	X
04	44556	BUTTONHOLER BIGHT CONTROL CAM FOLLOWER LEVER LINK (LEFT)		X	X	X	X
05	356061	BIGHT AMPLITUDE CONTROL LEVER	X	X	X	X	X
06	37246	BIGHT AMPLITUDE CONTROL LEVER LINK	X	X	X	X	X
07	354825-451	BIGHT AMPLITUDE CONTROL LEVER LINK HINGE SCREW	X	X	X	X	X
08	49204	BIGHT AMPLITUDE CONTROL LEVER LINK HINGE SCREW FRICTION WASHER	X	X	X	X	X
09	141913-451	BIGHT AMPLITUDE CONTROL LEVER LINK STOP SCREW	X	X	X	X	X
10	446904	BIGHT AMPLITUDE CONTROL LEVER LINK STOP	X	X	X	X	X
11	531793	BIGHT AMPLITUDE CONTROL LEVER MOUNTING BRACKET	X	X	X	X	X
12	54591-451	BIGHT AMPLITUDE CONTROL LEVER LINK HINGE SCREW NUT	X	X	X	X	X
13	113455-001	BIGHT AMPLITUDE CONTROL LEVER MOUNTING BRACKET SCREW	X	X	X	X	X
14	37933-001	NEEDLE BAR DRIVING ARM	X	X	X	X	X
15	37942	NEEDLE BAR DRIVING ARM TENSION SPRING	X	X	X	X	X
16	445780	LIGHT LEAD SHIELD & NEEDLE BAR DRIVING ARM TENSION SPRING MOUNTING PLATE	X	X	X	X	X
17	113455-004	LIGHT LEAD SHIELD & NEEDLE BAR DRIVING ARM TENSION SPRING MOUNTING PLATE SCREW	X	X	X	X	X
18	356204-451	BIGHT AMPLITUDE CONTROL LEVER KNOB	X	X	X	X	X

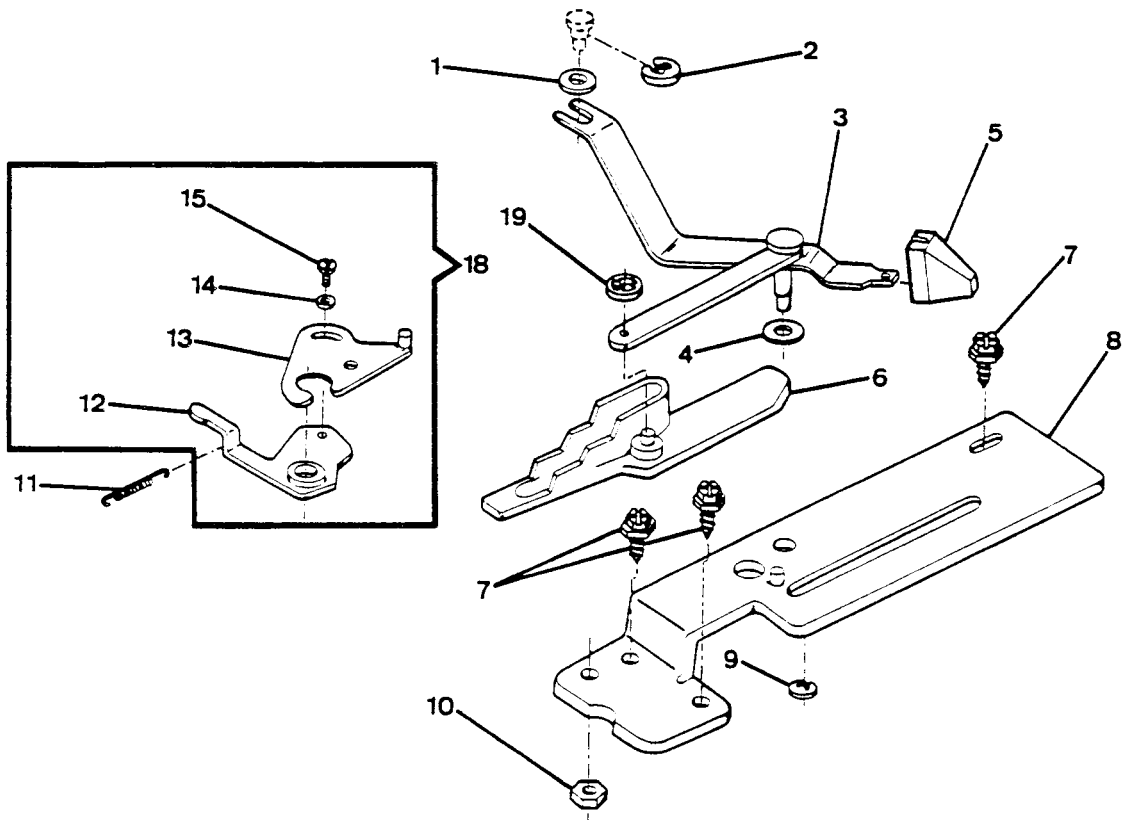
NEEDLE POSITION



PART LIST
NEEDLE POSITION

REF.	PART NBR	DESCRIPTION	5	5	5	5	5
			8	8	8	8	8
			0	0	0	0	1
			2	5	6	8	0
01	354642-451	NEEDLE BAR DRIVING ARM SLIDE SCREW	X	X	X	X	X
02	445840	NEEDLE BAR DRIVING ARM SLIDE	X	X	X	X	X
03	531639	NEEDLE BAR DRIVING ARM SLIDE BRACKET COMPLETE	X	X	X	X	X
03	531639	NEEDLE BAR DRIVING ARM SLIDE BRACKET ASSEMBLY	X	X	X	X	X
04	531636	NEEDLE BAR DRIVING ARM SLIDE BRACKET	X	X	X	X	X
05	445347	NEEDLE POSITION SELECTOR LEVER BRACKET FOLLOWER SCREW STUD	X	X	X	X	X
06	53641-819	NEEDLE POSITION SELECTOR LEVER BRACKET FOLLOWER SCREW STUD NUT	X	X	X	X	X
07	44371	DISC FOLLOWER STUD RETAINING RING (UPPER & LOWER)	X				
08	446023	DISC FOLLOWER STUD	X				
09	445646	DISC FOLLOWER	X				
10	353585	DISC FOLLOWER STUD COLLAR		X	X	X	X
11	353548	DISC FOLLOWER STUD WASHER		X	X	X	X
12	353584	DISC FOLLOWER STUD		X	X	X	X
13	179897	DISC FOLLOWER SPRING		X	X	X	X
14	446404	DISC FOLLOWER		X	X	X	X
15	356204-451	NEEDLE POSITION SELECTOR LEVER KNOB	X	X	X	X	X
16	356065	NEEDLE POSITION SELECTOR LEVER	X	X	X	X	X
17	141913-451	NEEDLE POSITION SELECTOR LEVER SCREW	X	X	X	X	X
18	353547	NEEDLE POSITION SELECTOR LEVER BRACKET	X				
19	356063	NEEDLE POSITION SELECTOR LEVER ASSEMBLY	X				
20	353539	NEEDLE POSITION SELECTOR LEVER BRACKET		X	X	X	X
21	356062	NEEDLE POSITION SELECTOR LEVER BRACKET COMPLETE		X	X	X	X
22	113455-001	NEEDLE POSITION SELECTOR LEVER MOUNTING PLATE SCREW	X				
23	446401	NEEDLE POSITION SELECTOR LEVER MOUNTING PLATE	X				
24	54591-451	DISC FOLLOWER STUD NUT	X				
25	319690	NEEDLE POSITION SELECTOR LEVER BRACKET POSITIONING PIN	X	X	X	X	X
26	444800	NEEDLE POSITION SELECTOR LEVER BRACKET POSITIONING PIN SPRING	X	X	X	X	X
27	445539	NEEDLE BAR VIBRATING BRACKET HINGE PIN RETAINING RING	X	X	X	X	X
28	445721	NEEDLE BAR DRIVING ARM SLIDE BRACKET RETAINING RING	X	X	X	X	X

DISC SELECTOR ASSEMBLY

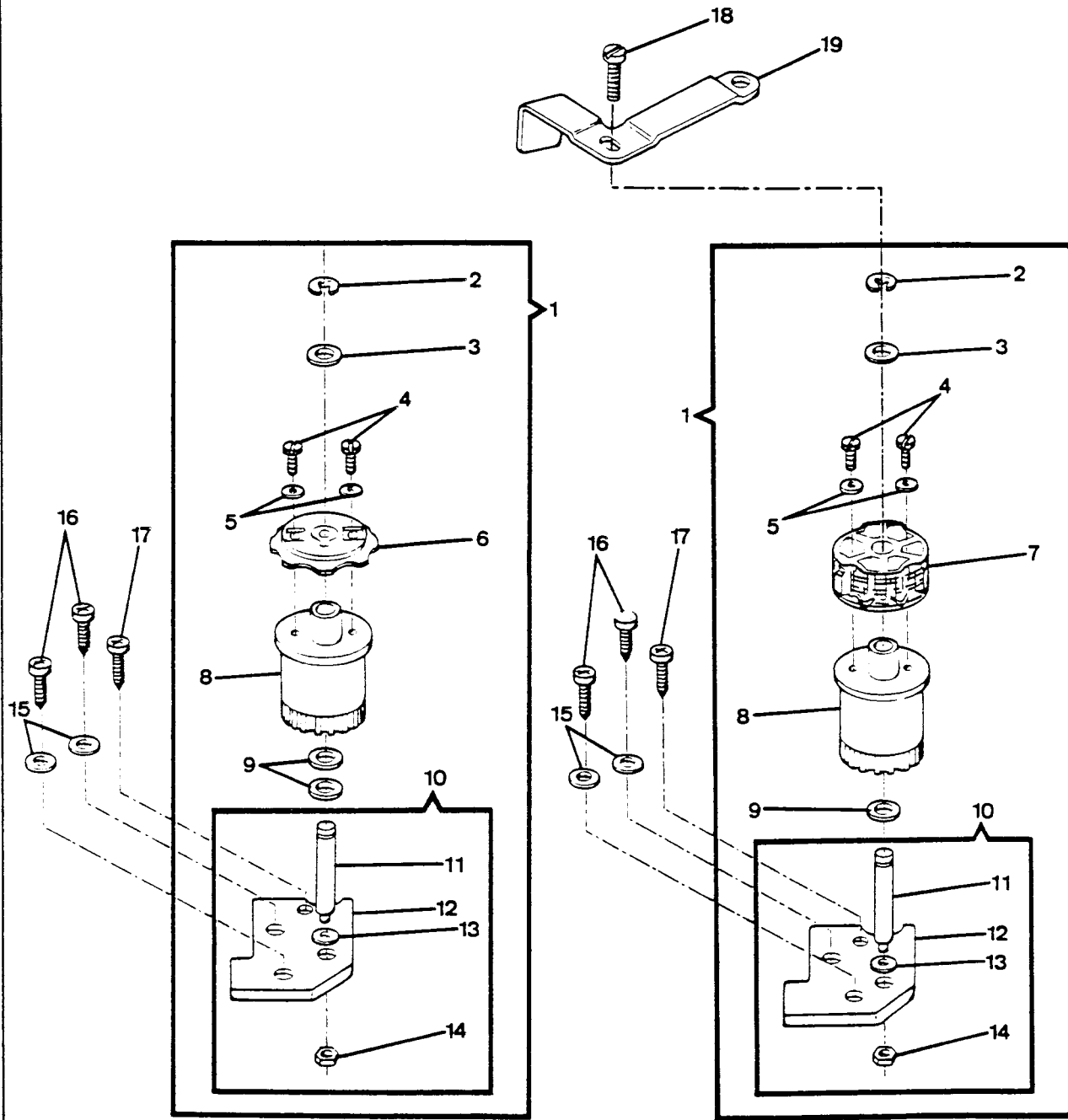


PART LIST
DISC SELECTION ASSEMBLY

REF.	PART NBR	DESCRIPTION	5	5	5	5	5
			8	8	8	8	8
			0	0	0	0	1
			2	5	6	8	0
01	444923-453	PATTERN SELECTOR LEVER HINGE STUD WASHER	X	X	X	X	X
02	445486	PATTERN SELECTOR LEVER RETAINING RING	X	X	X	X	X
03	356069	PATTERN SELECTOR LEVER COMPLETE	X	X	X	X	X
04	313190-451	PATTERN SELECTOR DRIVE STUD WASHER	X	X	X	X	X
05	356204-451	NEEDLE POSITION SELECTOR LEVER KNOB	X	X	X	X	X
06	353322	PATTERN SELECTOR CAM SLIDE			X		
06	446406	PATTERN SELECTOR CAM SLIDE	X				X
06	353323	PATTERN SELECTOR CAM SLIDE				X	
07	113455-001	PATTERN SELECTOR MOUNTING PLATE SCREW	X	X	X	X	X
08	446405	PATTERN SELECTOR MOUNTING PLATE COMPLETE	X	X	X	X	X
09	408030	PATTERN SELECTOR LEVER RETAINING RING	X	X	X	X	X
10	54591-451	DISC FOLLOWER STUD NUT	X	X	X	X	X
11	446415	DISC FOLLOWER DISENGAGING LEVER SPRING	X	X	X	X	X
12	446412	DISC FOLLOWER DISENGAGING LEVER	X	X	X	X	X
13	446411	DISC FOLLOWER DISENGAGING LEVER PLATE ASSEMBLY	X	X	X	X	X
14	445808-452	DISC FOLLOWER DISENGAGING LEVER PLATE ADJUSTING SCREW WASHER	X	X	X	X	X
15	141913-451	DISC FOLLOWER DISENGAGING LEVER PLATE ADJUSTING SCREW	X	X	X	X	X
18	446410	DISC FOLLOWER DISENGAGING LEVER PLATE COMPLETE	X	X	X	X	X
19	446417	PATTERN SELECTOR CAM SLIDE CONNECTING LINK RETAINING RING	X	X	X	X	X

From the library of: Diamond Needle Corp

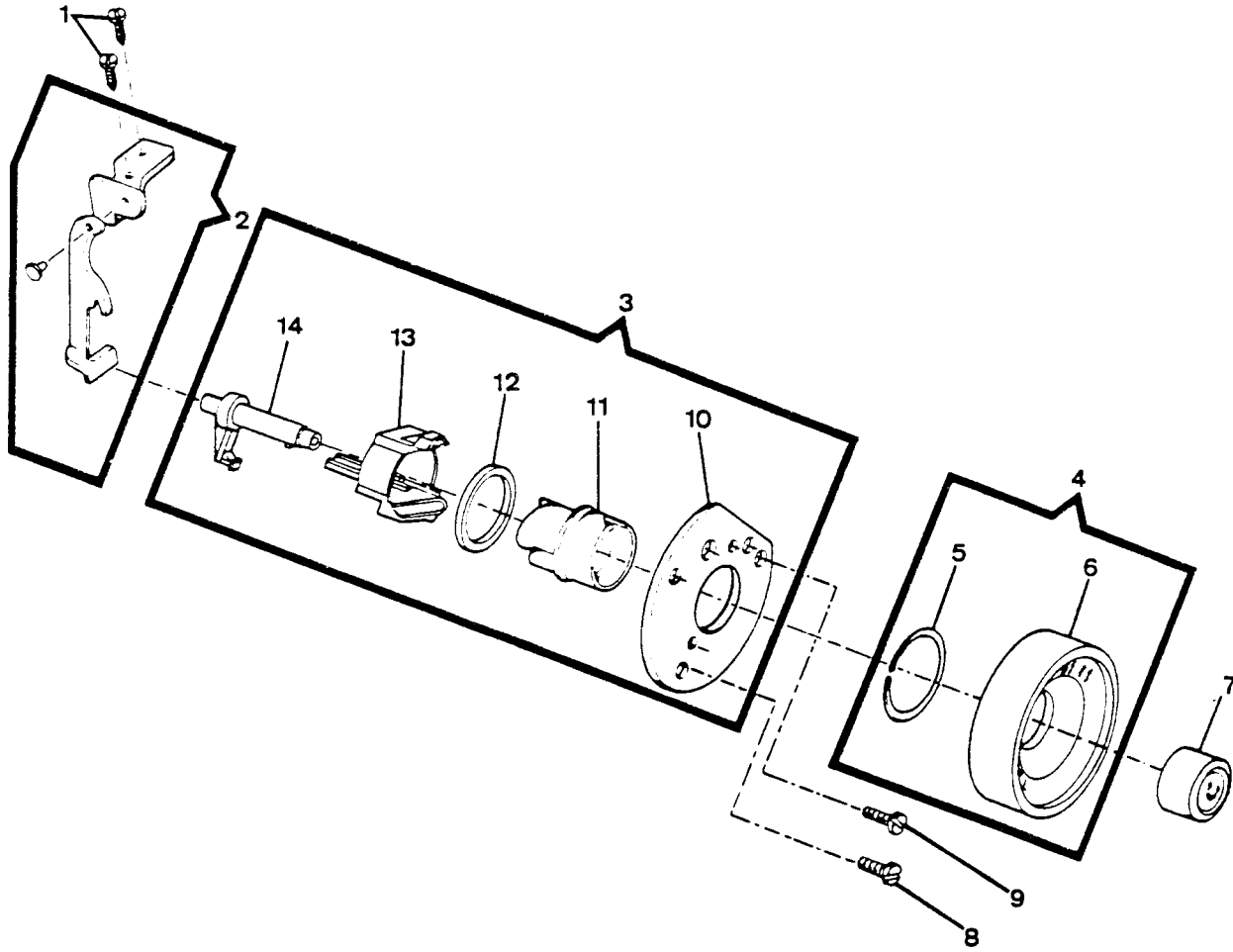
CAM STACK



PART LIST
CAM STACK

REF.	PART NBR	DESCRIPTION	5	5	5	5	5
			8	8	8	8	8
			0	0	0	0	1
			2	5	6	8	0
01	446421	DISC DRIVING GEAR COMPLETE	X				
01	353288	DISC DRIVING GEAR COMPLETE		X			
01	353288-001	DISC DRIVING GEAR COMPLETE			X	X	X
02	444921	DISC DRIVING GEAR RETAINING RING	X	X	X	X	X
03	444923-453	DISC DRIVING GEAR SHAFT FRICTION WASHER	X	X	X	X	X
04	113375-451	DISC STACK POSITIONING SCREW	X				
04	141920-453	DISC STACK POSITIONING SCREW		X	X	X	X
05	179957-451	DISC STACK POSITIONING SCREW WASHER	X				
05	446138	DISC STACK POSITIONING SCREW WASHER		X	X	X	X
06	445762	DISC STACK (PLASTIC)	X				
07	353287	DISC STACK (PLASTIC)		X	X	X	X
08	179958	DISC DRIVING GEAR	X				
08	445754	DISC DRIVING GEAR		X	X	X	X
09	353395-001	DISC DRIVING GEAR SHAFT SPACER		X	X	X	X
09	353395-002	DISC DRIVING GEAR SHAFT SPACER	X	X	X	X	X
09	444923-451	DISC DRIVING GEAR SHAFT SPACER	X	X	X	X	X
10	446420	DISC DRIVING GEAR SHAFT MOUNTING PLATE ASSEMBLY	X	X			
10	446420-001	DISC DRIVING GEAR SHAFT MOUNTING PLATE ASSEMBLY			X	X	X
11	446418	DISC DRIVING GEAR SHAFT	X	X			
11	446418-001	DISC DRIVING GEAR SHAFT			X	X	X
12	353575	DISC DRIVING GEAR SHAFT MOUNTING PLATE	X	X	X	X	X
13	353488	DISC DRIVING GEAR SHAFT WASHER	X	X	X	X	X
14	53648-451	DISC DRIVING GEAR SHAFT NUT	X	X	X	X	X
15	353375-451	DISC DRIVING GEAR SHAFT MOUNTING PLATE SCREW WASHER	X	X	X	X	X
16	113435-451	DISC DRIVING GEAR SHAFT MOUNTING PLATE SCREW	X	X	X	X	X
17	113455-001	DISC DRIVING GEAR SHAFT MOUNTING PLATE SCREW	X	X	X	X	X
18	354654-451	DISC DRIVING GEAR (COMPLETE) SUPPORT MOUNTING SCREW			X	X	X
19	353440-900	DISC DRIVING GEAR (COMPLETE) SUPPORT BRACKET			X	X	X

FEEED REGULATOR CAM

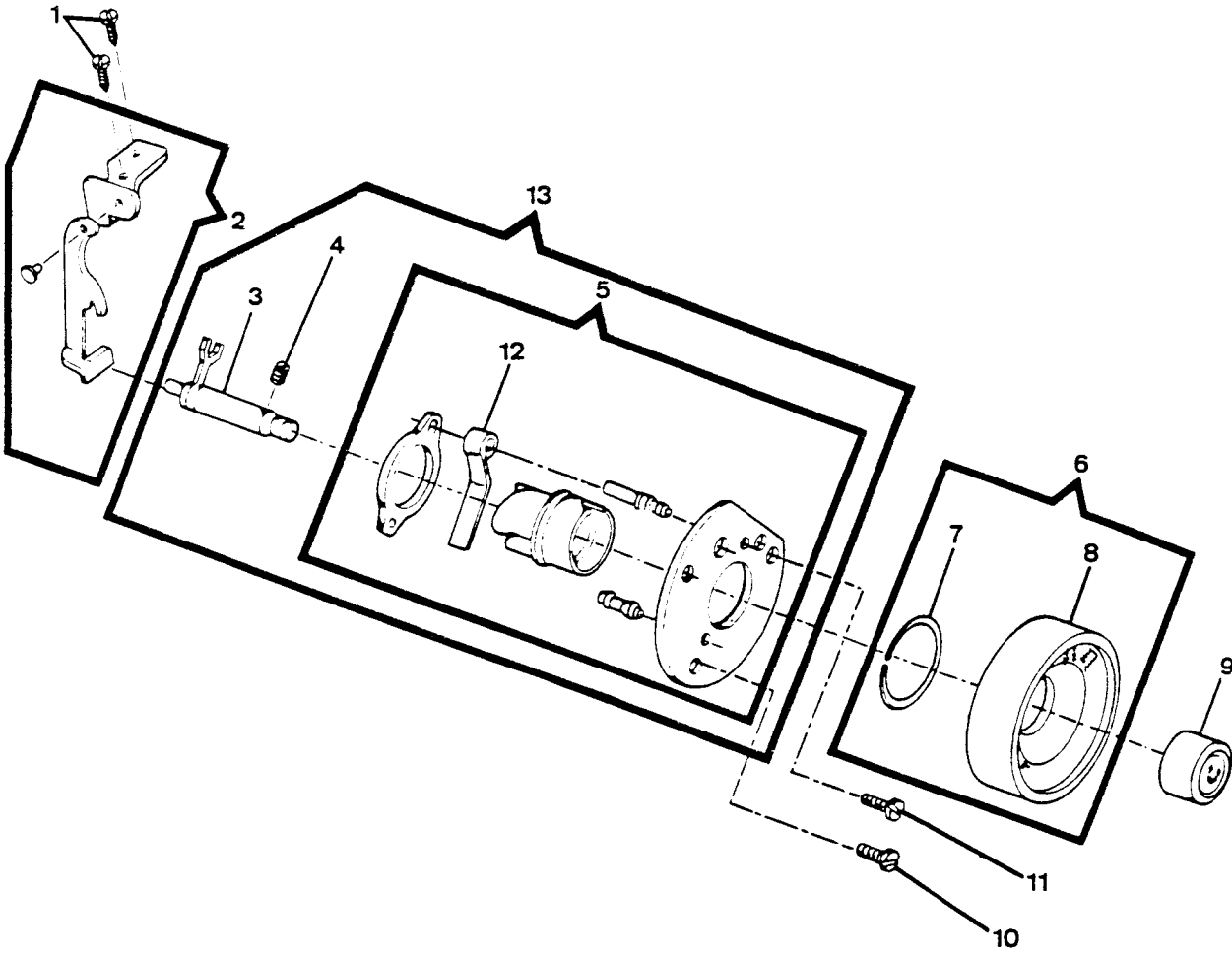


From the library of: Diamond Needle Corp

PART LIST
FEED REGULATOR CAM

REF.	PART NBR	DESCRIPTION	5	5	5	5	5
			8	8	8	8	8
			0	0	0	0	1
			2	5	6	8	0
01	113455-001	FEED REGULATOR CONTROL ARM MOUNTING BRACKET SCREW					X
02	353304	FEED REGULATOR CONTROL ARM ASSEMBLY					X
03	353478	FEED REGULATOR CAM					X
04	356066-451	FEED REGULATOR CONTROL DIAL ASSEMBLY					X
05	445461	FEED REGULATOR CONTROL DIAL RETAINING RING					X
06	356067-451	FEED REGULATOR CONTROL DIAL					X
07	356115-451	FEED REGULATOR POSITIONING PIN KNOB					X
08	531807-451	FEED REGULATOR MOUNTING PLATE SCREW (LEFT)					X
09	531806-451	FEED REGULATOR MOUNTING PLATE SCREW (RIGHT)					X
10	446283	FEED REGULATOR MECHANISM MOUNTING PLATE					X
11	353477	FEED REGULATOR CAM (PLASTIC)					X
12	446282	FEED REGULATOR FRICTION WASHER					X
13	446284	FEED REGULATOR MOUNTING PLATE					X
14	353476	FEED REGULATOR POSITIONING PIN BRACKET					X

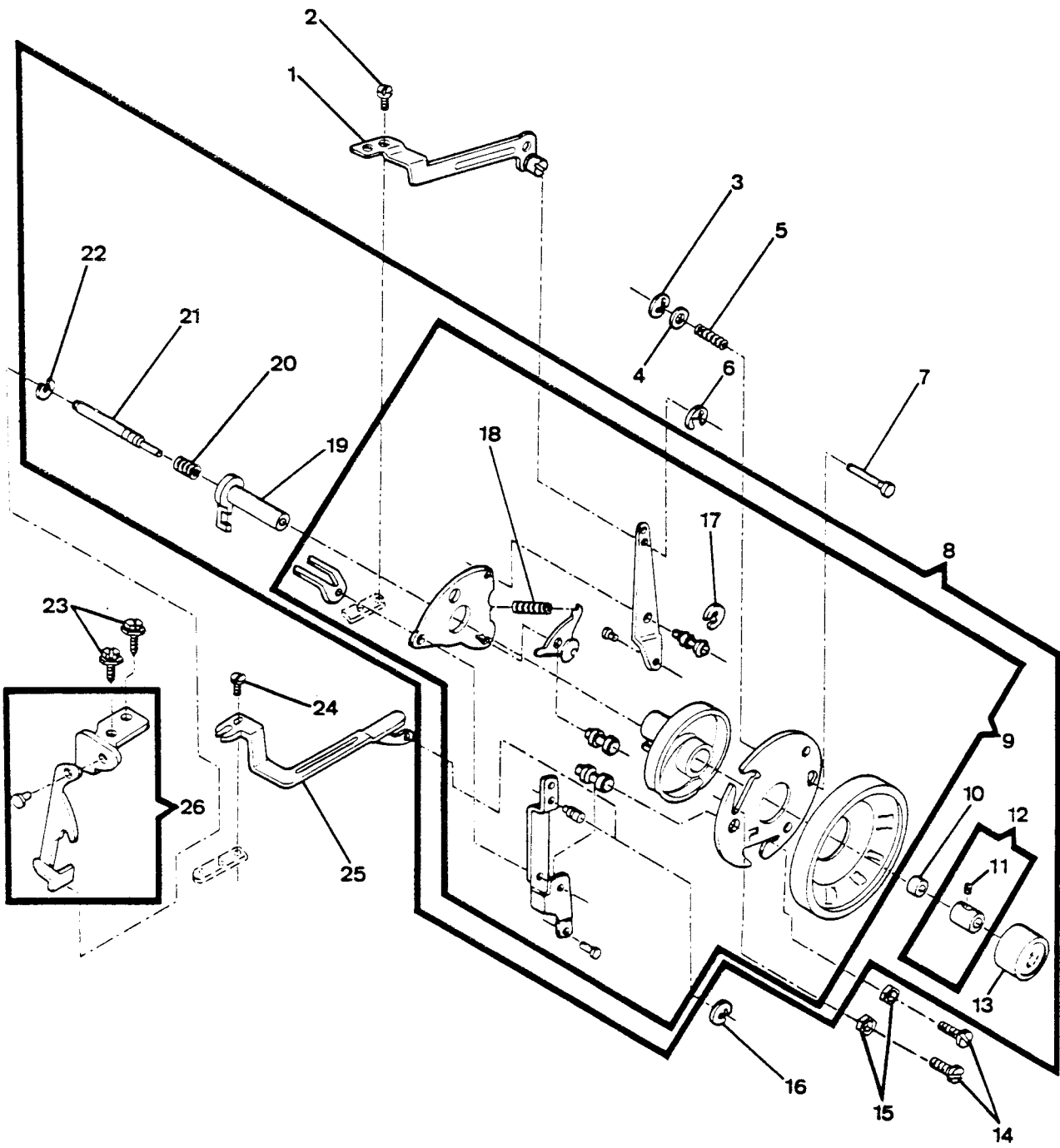
FEED REGULATOR CAM (ALTERNATE)



PART LIST
FEED REGULATOR CAM (ALTERNATE)

REF.	PART NBR	DESCRIPTION	5	5	5	5	5
			8	8	8	8	8
			0	0	0	0	1
			2	5	6	8	0
01	113455-001	FEED REGULATOR CONTROL ARM MOUNTING BRACKET SCREW					X
02	353304	FEED REGULATOR CONTROL ARM ASSEMBLY					X
03	353472	FEED REGULATOR CAM FOLLOWER					X
04	37970	FEED REGULATOR CAM FOLLOWER STUD					X
05	445652	FEED REGULATOR CAM ASSEMBLY					X
06	356066-451	FEED REGULATOR CONTROL DIAL ASSEMBLY					X
07	445461	FEED REGULATOR CONTROL DIAL RETAINING RING					X
08	356067-451	FEED REGULATOR CONTROL DIAL					X
09	356115-451	FEED REGULATOR POSITIONING PIN KNOB					X
10	531807-451	FEED REGULATOR MOUNTING PLATE SCREW (LEFT)					X
11	531806-451	FEED REGULATOR MOUNTING PLATE SCREW (RIGHT)					X
12	44420	FEED REGULATOR CAM FRICTION SPRING					X
13	353487	FEED REGULATOR CAM COMPLETE					X

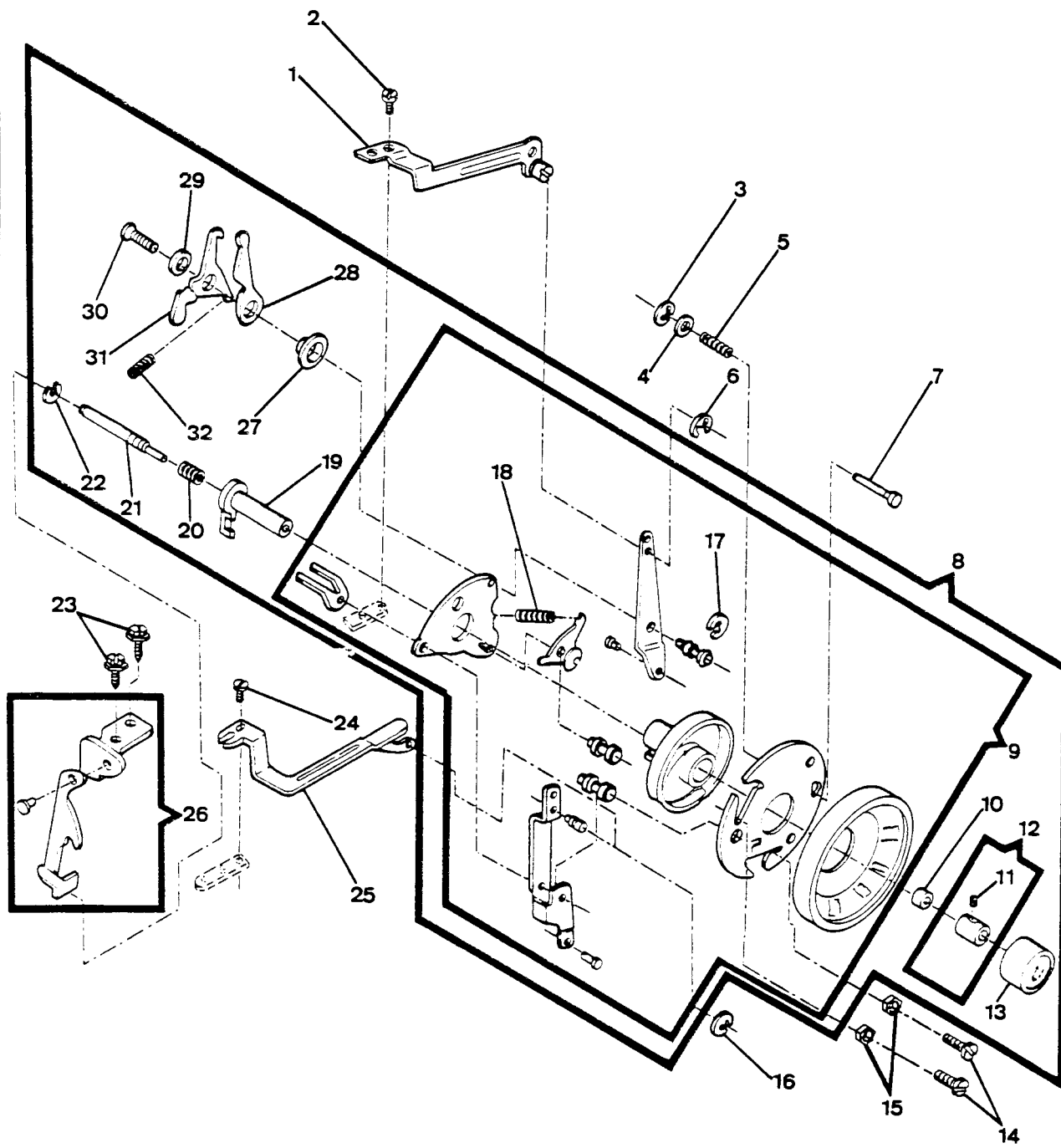
BUTTONHOLER & FEED REGULATOR CAM



PART LIST
 BUTTONHOLER & FEED REGULATOR CAM

REF.	PART NBR	DESCRIPTION	5	5	5	5	5
			5	5	5	5	5
			8	8	8	8	8
			0	0	0	0	1
			2	5	6	8	0
=====							
01	356233	BUTTONHOLER NEEDLE POSITION CAM FOLLOWER LEVER LINK (RIGHT)					X
02	141913-451	BUTTONHOLER NEEDLE POSITION CAM FOLLOWER LEVER LINK (LEFT AND RIGHT) SCREW					X
03	408030	BUTTONHOLER & FEED REGULATOR MECHANISM MOUNTING PLATE STUD RETAINING RING					X
04	549426-451	BUTTONHOLER & FEED REGULATOR MECHANISM MOUNTING PLATE STUD SPRING WASHER					X
05	179949	BUTTONHOLER & FEED REGULATOR MECHANISM MOUNTING PLATE STUD SPRING					X
06	445486	BUTTONHOLER NEEDLE POSITION CAM FOLLOWER LEVER LINK (RIGHT) RETAINING RING					X
07	356230	BUTTONHOLER & FEED REGULATOR MECHANISM MOUNTING PLATE STUD					X
08	356078-451	BUTTONHOLER & FEED REGULATOR CAM COMPLETE					X
09	356079-451	BUTTONHOLER & FEED REGULATOR CAM ASSEMBLY					X
10	445945	REVERSE FEED CAM FOLLOWER					X
11	113433-451	FEED REGULATOR POSITIONING PIN KNOB ADAPTOR SET SCREW					X
12	353445	FEED REGULATOR POSITIONING PIN KNOB ADAPTOR					X
13	356082-451	FEED REGULATOR POSITIONING PIN KNOB					X
14	113513-451	BUTTONHOLER & FEED REGULATOR MECHANISM MOUNTING PLATE SCREW					X
15	353588-451	BUTTONHOLER & FEED REGULATOR MECHANISM MOUNTING PLATE SCREW NUT					X
16	445486	BUTTONHOLER BIGHT CONTROL CAM FOLLOWER LEVER LINK (RIGHT) RETAINING RING					X
17	44472	BUTTONHOLER NEEDLE POSITION CAM FOLLOWER LEVER RETAINING RING					X
18	353495	BUTTONHOLER & FEED REGULATOR CONTROL DIAL PAWL SPRING					X
19	353305	FEED REGULATOR POSITIONING PIN CARRIER					X
20	44612	FEED REGULATOR POSITIONING PIN FRICTION SPRING					X
21	353446	FEED REGULATOR POSITIONING PIN					X
22	445721	FEED REGULATOR POSITIONING PIN FRICTION SPRING RETAINING RING					X
23	113455-001	FEED REGULATOR CONTROL ARM MOUNTING BRACKET SCREW					X
24	141913-451	BUTTONHOLER BIGHT CONTROL CAM FOLLOWER LEVER LINK (LEFT & RIGHT) SCREW					X
25	356081	BUTTONHOLER BIGHT CONTROL CAM FOLLOWER LEVER LINK					X
26	353304	FEED REGULATOR CONTROL ARM ASSEMBLY					X

BUTTONHOLER & FEED REGULATOR CAM (ALTERNATE)

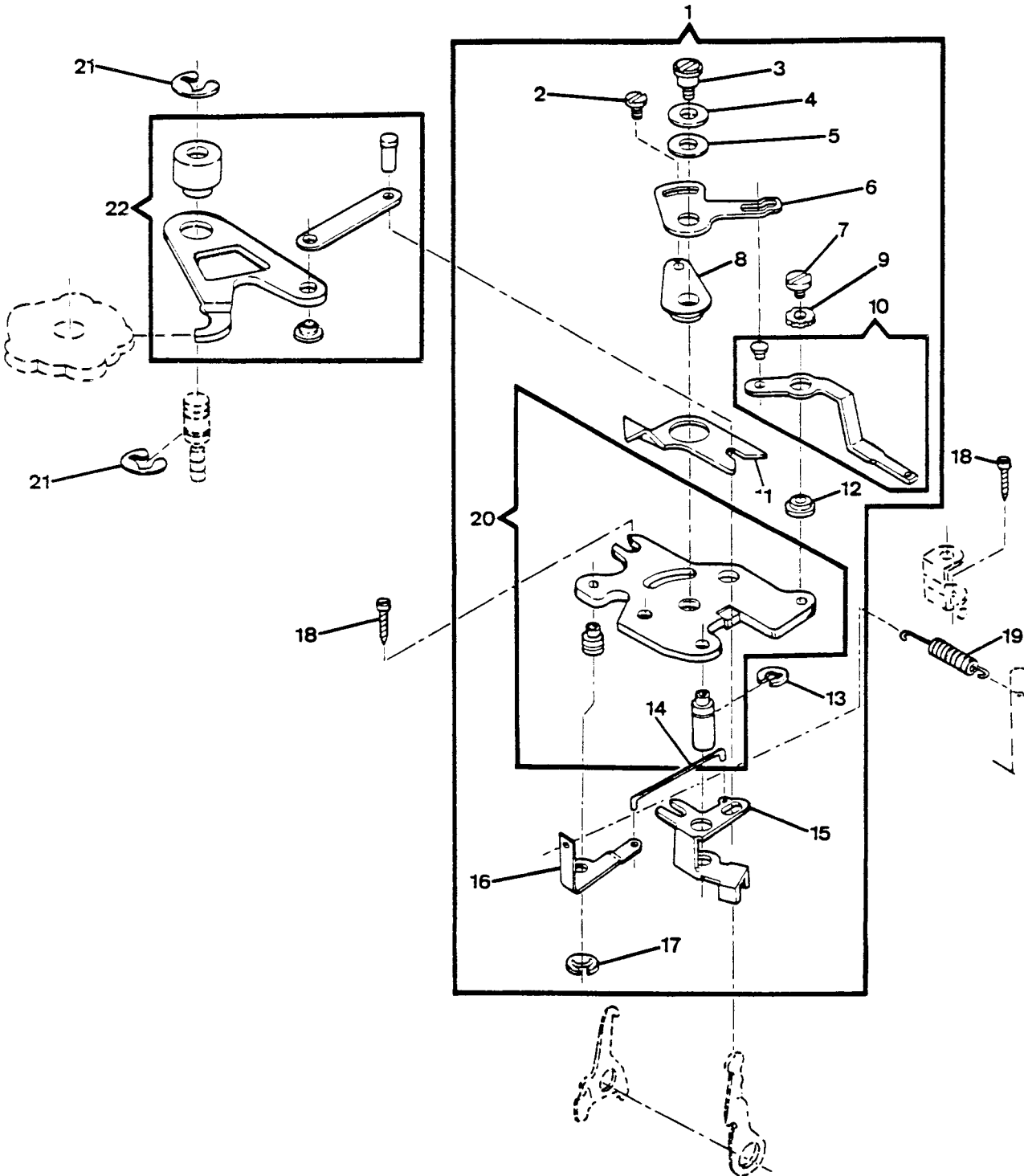


PART LIST

BUTTONHOLER & FEED REGULATOR CAM (ALTERNATE) 5 5 5 5 5
 8 8 8 8 8
 0 0 0 0 1
 2 5 6 8 0

REF.	PART NBR	DESCRIPTION					
01	356233	BUTTONHOLER NEEDLE POSITION CAM FOLLOWER LEVER LINK (RIGHT)				X	X X
02	141913-451	BUTTONHOLER NEEDLE POSITION CAM FOLLOWER LEVER LINK (LEFT & RIGHT) SCREW				X	X X
03	408030	BUTTONHOLER & FEED REGULATOR MECHANISM MOUNTING PLATE RETAINING RING				X	X X
04	549426-451	BUTTONHOLER & FEED REGULATOR MECHANISM MOUNTING PLATE STUD SPRING WASHER				X	X X
05	179949	BUTTONHOLER & FEED REGULATOR MECHANISM MOUNTING PLATE STUD SPRING				X	X X
06	445486	BUTTONHOLER BIGHT CONTROL CAM FOLLOWER LEVER LINK (RIGHT) RETAINING RING				X	X X
07	356230	BUTTONHOLER & FEED REGULATOR MECHANISM MOUNTING PLATE STUD				X	X X
08	356085-451	BUTTONHOLER & FEED REGULATOR CAM COMPLETE				X	X X
09	356086-451	BUTTONHOLER & FEED REGULATOR CAM ASSEMBLY				X	X X
10	445945	REVERSE FEED CAM FOLLOWER				X	X X
11	113433-451	FEED REGUL.POSIT.PIN KNOB ADAPTOR SET SCREW				X	X X
12	353445	FEED REGULATOR POSITIONING PIN KNOB ADAPTOR				X	X X
13	356082-451	FEED REGULATOR POSITIONING PIN KNOB				X	X X
14	113513-451	BUTTONHOLER & FEED REGULATOR MECHANISM MOUNTING PLATE SCREW				X	X X
15	353588-451	BUTTONHOLER & FEED REGULATOR MECHANISM MOUNTING PLATE SCREW NUT				X	X X
16	445486	BUTTONHOLER BIGHT CONTROL CAM FOLLOWER LEVER LINK (RIGHT) RETAINING RING				X	X X
17	44472	BUTTONHOLER NEEDLE POSITION CAM FOLLOWER LEVER RETAINING RING				X	X X
18	353495	BUTTONHOLER & FEED REGULATOR CONTROL DIAL PAWL SPRING				X	X X
19	353305	FEED REGULATOR POSITIONING PIN CARRIER				X	X X
20	44612	FEED REGULATOR POSIT. PIN FRICTION SPRING				X	X X
21	353446	FEED REGULATOR POSITIONING PIN				X	X X
22	445721	FEED REGULATOR POSITIONING PIN FRICTION SPRING RETAINING RING				X	X X
23	113455-001	FEED REGULATOR CONTROL ARM MOUNTING BKT.SCREW				X	X X
24	141913-451	BUTTONHOLER BIGHT CONTROL CAM FOLLOWER LEVER LINK (LEFT & RIGHT) SCREW				X	X X
25	356081	BUTTONHOLER BIGHT CONTROL CAM FOLLOWER LEVER LINK				X	X X
26	353304	FEED REGULATOR CONTROL ARM ASSEMBLY				X	X X
27	353319	CAM CONTROL FEED ENGAGING CAM FOLLOWER & LEVER BUSHING				X	X X
28	353321	CAM CONTROL FEED ENGAGING CAM FOLLOWER LEVER				X	X X
29	445539	CAM CONTROL FEED ENGAGING CAM FOLLOWER & LEVER WASHER				X	X X
30	113372-451	CAM CONTROL FEED ENGAGING CAM FOLLOWER & LEVER MOUNTING SCREW				X	X X
31	353320	CAM CONTROL FEED ENGAGING CAM FOLLOWER				X	X X
32	353495	CAM CONTROL FEED ENGAGING CAM FOLLOWER & LEVER SPRING				X	X X

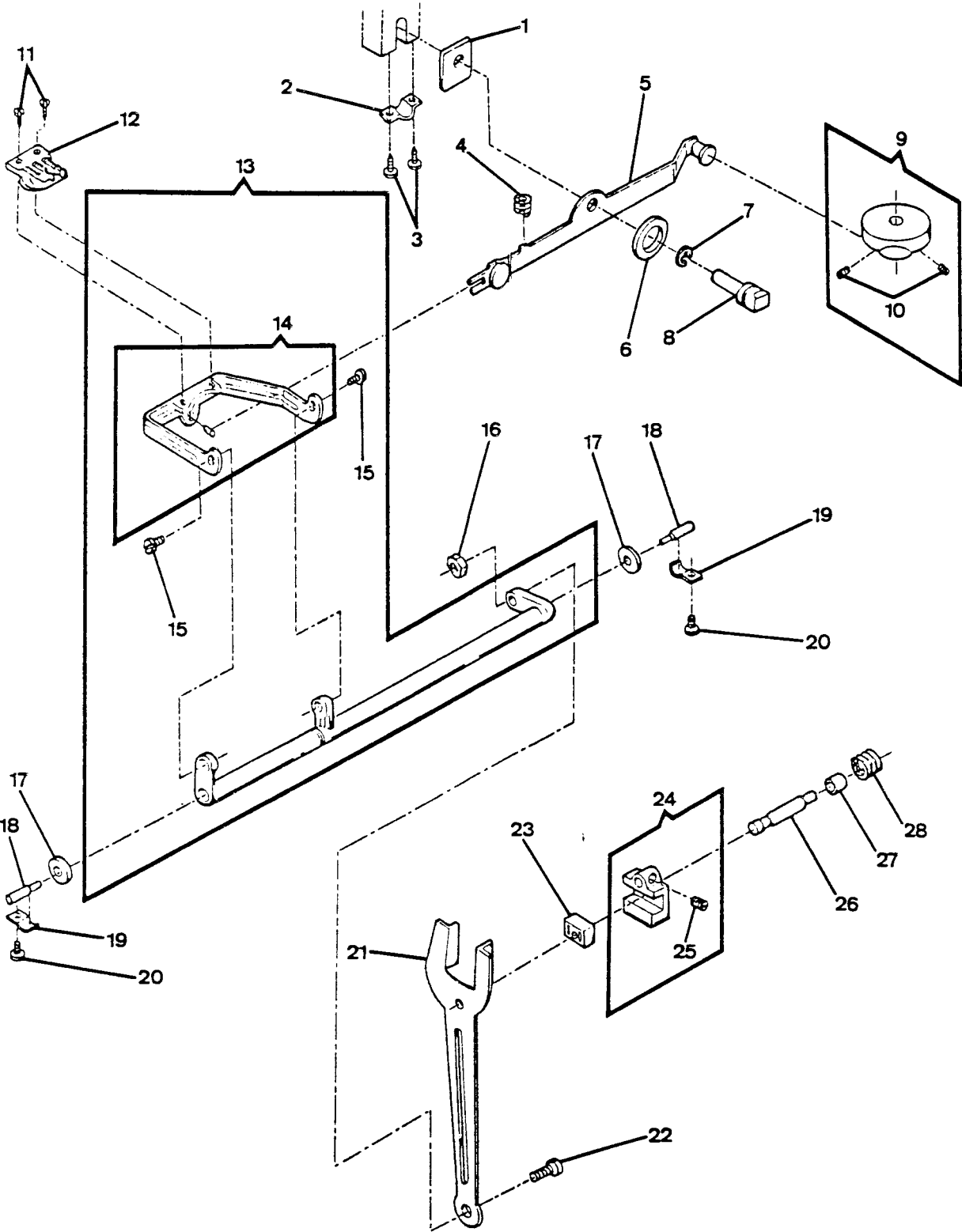
CAM CONTROLLED FEED



PART LIST
CAM CONTROLLED FEED

REF.	PART NBR	DESCRIPTION	5	5	5	5	5
			8	8	8	8	8
			0	0	0	0	1
			2	5	6	8	0
01	356074	CAM CONTROLLED FEED MOUNTING BRACKET COMPLETE				X	X X
02	141913-451	CAM CONTROLLED FEED BALANCE ADJUSTING SCREW				X	X X
03	113423-451	CAM CONTROLLED FEED BALANCE ADJUSTING SPRING HINGE SCREW				X	X X
04	543531	CAM CONTROLLED FEED BALANCE ADJUSTING SCREW WASHER				X	X X
05	353492	CAM CONTROLLED FEED BALANCE ADJUSTING SPRING WASHER				X	X X
06	531754	CAM CONTROLLED FEED BALANCE ADJUSTING PLATE				X	X X
07	113424-451	CAM CONTROLLED FEED BALANCE ADJUSTING LEVER HINGE SCREW				X	X X
08	353331	CAM CONTROLLED FEED DRIVING ARM ECCENTRIC				X	X X
09	422523	CAM CONTROLLED FEED BALANCE ADJUSTING LEVER WASHER				X	X X
10	356076	CAM CONTROLLED FEED BALANCE ADJUSTING LEVER				X	X X
11	353330	CAM CONTROLLED FEED DRIVING ARM				X	X X
12	353334	CAM CONTROLLED FEED BALANCE ADJUSTING LEVER MOUNTING BUSHING				X	X X
13	445721	CAM CONTROLLED FEED ENGAGING CRANK RETAINING RING				X	X X
14	353473	CAM CONTROLLED FEED ENGAGING CRANK LINK				X	X X
15	353329	CAM CONTROLLED FEED ENGAGING CRANK				X	X X
16	356166	CAM CONTROLLED FEED ENGAGING CRANK LEVER				X	X X
17	445486	FEED REGULATOR CONTROL ARM BIAS LINK ENGAGING LEVER RETAINING RING				X	X X
18	113455-001	CAM CONTROLLED FEED MOUNTING BRACKET SCREW				X	X X
19	356165	FEED REGULATOR CONTROL ARM BIAS LINK SPRING				X	X X
20	531750	CAM CONTROLLED FEED MOUNTING BRACKET (SUB-ASSEMBLY)				X	X X
21	445486	DISC FOLLOWER STUD RETAINING RING (UPPER & LOWER)				X	X X
22	353335	CAM CONTROLLED FEED FOLLOWER & LINK ASSEMBLY				X	X X

FEED SYSTEM

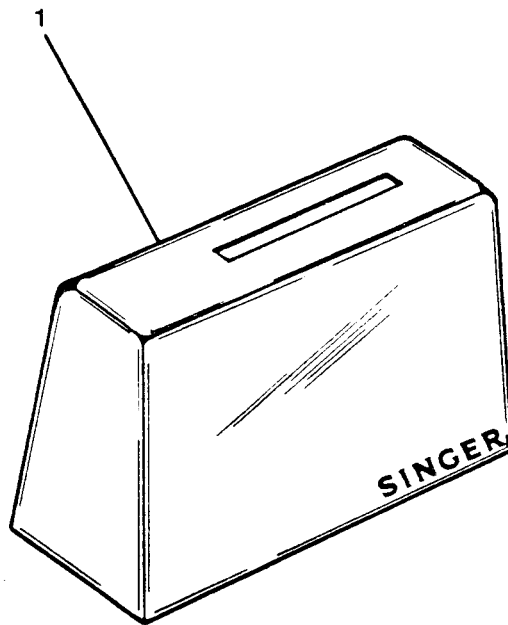
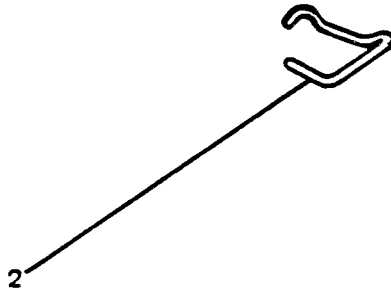


From the library of: Diamond Needle Corp

PART LIST
FEED SYSTEM

REF.	PART NBR	DESCRIPTION	5	5	5	5	5
			8	8	8	8	8
			0	0	0	0	1
			2	5	6	8	0
01	179955	FEED LIFTING LEVER HINGE STUD (ECCENTRIC) SPACER	X	X	X	X	X
02	446485	FEED LIFTING LEVER HINGE STUD (ECCENTRIC) CLAMP	X	X	X	X	X
03	113455-001	FEED LIFTING LEVER HINGE STUD (ECCENTRIC) CLAMP SCREW					
04	446249	FEED LIFTING LEVER SPRING	X	X	X	X	X
05	356222	FEED LIFTING LEVER	X	X	X	X	X
06	353427	FEED LIFTING LEVER HINGE STUD (ECCENTRIC) WASHER	X	X	X	X	X
07	353428	FEED LIFTING LEVER HINGE STUD (ECCENTRIC) RETAINING RING	X	X	X	X	X
08	353448	FEED LIFTING LEVER HINGE STUD (ECCENTRIC)	X	X	X	X	X
09	446228	FEED LIFTING CAM	X	X	X	X	X
10	544118	FEED LIFTING CAM SCREW	X	X	X	X	X
11	355235-451	FEED DOG SCREW	X	X	X	X	X
12	179891	FEED DOG	X	X	X	X	X
13	446216	FEED ROCK SHAFT COMPLETE	X	X	X	X	X
14	446205	FEED BAR ASSEMBLY	X	X	X	X	X
15	354939-451	FEED BAR HINGE SCREW	X	X	X	X	X
16	53648-451	FEED FORKED CONNECTING SCREW STUD NUT	X	X	X	X	X
17	353397	FEED ROCK SHAFT CENTER (LEFT) NOISE DAMPENING WASHER	X	X	X	X	X
18	446487	FEED ROCK SHAFT CENTER	X	X	X	X	X
19	445484	FEED ROCK SHAFT CENTER CLAMP (LEFT & RIGHT)	X	X	X	X	X
20	113455-001	FEED ROCK SHAFT CENTER SUPPORTING BRACKET SCREW	X	X	X	X	X
21	531926	FEED FORKED CONNECTING	X	X	X	X	X
22	531623-451	FEED FORKED CONNECTING HINGE SCREW (ECCENTRIC)	X	X	X	X	X
23	44437	FEED FORKED CONNECTING SLIDE BLOCK	X	X	X	X	X
24	446244	FEED REGULATOR ASSEMBLY	X	X	X	X	X
25	141925-833	FEED REGULATOR SET SCREW	X	X	X	X	X
26	446483	FEED REGULATOR HINGE STUD	X	X	X	X	X
27	445768	FEED REGULATOR RETURN SPRING BUSHING (PLASTIC)	X	X	X	X	X
28	179890	FEED REGULATOR RETURN SPRING	X	X	X	X	X

OPTIONS

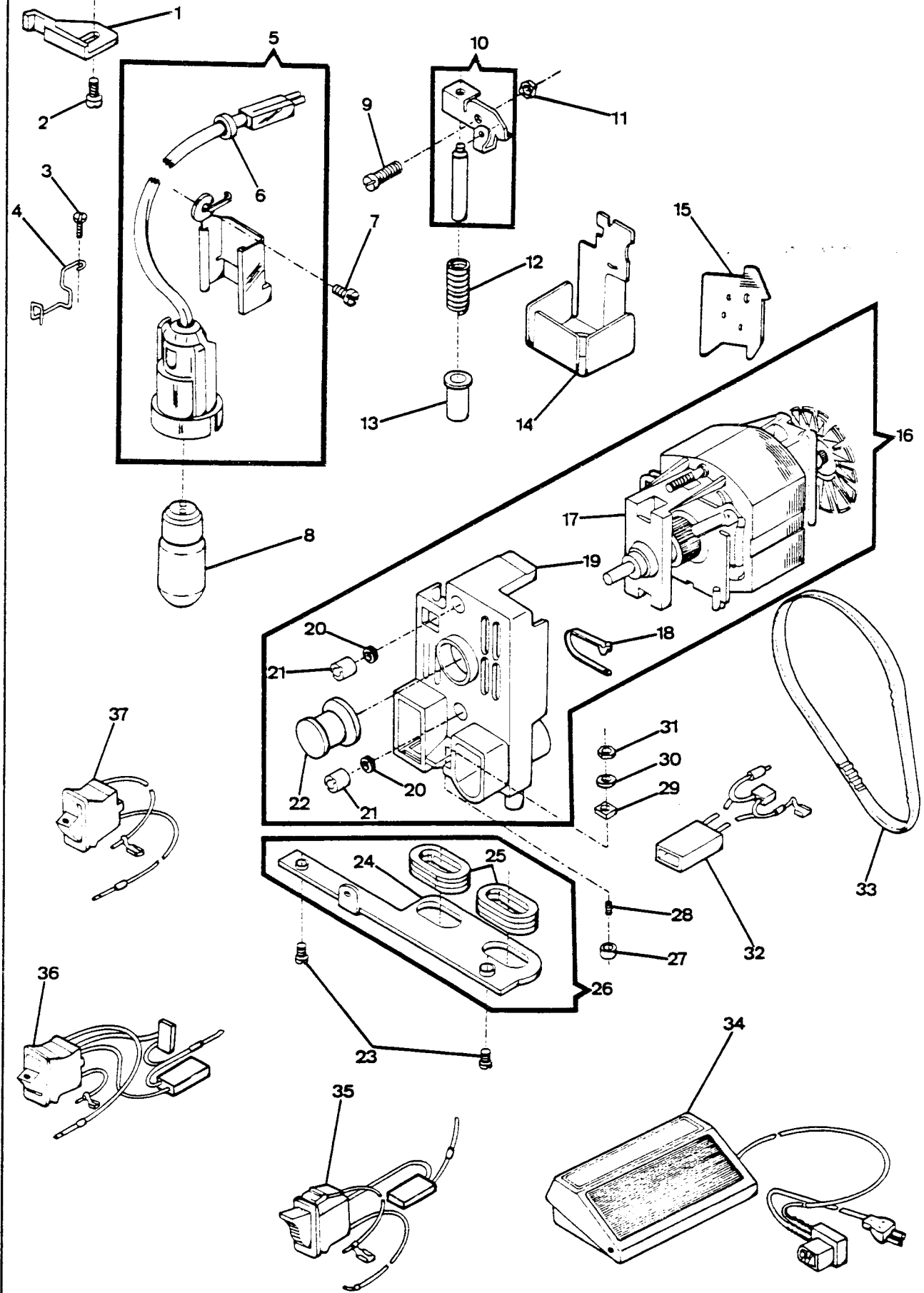


PART LIST
 OPTIONS

REF.	PART NBR	DESCRIPTION	5	5	5	5	5
			8	8	8	8	8
			0	0	0	0	1
			2	5	6	8	0
01	356392-451	SOFT VINIL COVER (TUBULAR BED)	X	X	X	X	X
02	116863	FINGER GUARD	X	X	X	X	X

From the library of: Diamond Needle Corp

ELECTRICAL EQUIPMENT



From the library of: Diamond Needle Corp

PART LIST
ELECTRICAL EQUIPMENT

5 5 5 5 5
8 8 8 8 8
0 0 0 0 1
2 5 6 8 0

REF.	PART NBR	DESCRIPTION					
01	353411	LIGHT LEAD RETAINING CLIP	X	X	X	X	X
02	113504-451	LIGHT LEAD RETAINING CLIP MOUNTING SCREW	X	X	X	X	X
03	113455-001	LIGHT LEAD WIRE RETAINER MOUNTING SCREW	X	X	X	X	X
04	353247	LIGHT LEAD WIRE RETAINER	X	X	X	X	X
05		REFER TO CHARTS ON FOLLOWING PAGES					
06	179908	LIGHT LEAD GROMMET	X	X	X	X	X
07	141913-451	LIGHT SOCKET MOUNTING SCREW	X	X	X	X	X
08	988076-001	LAMP (120V)	X	X	X	X	X
08	988076-003	LAMP (220V)	X	X	X	X	X
08	988076-005	LAMP (250V)	X	X	X	X	X
09	113372-451	MOTOR GUIDE PIN MOUNTING BRACKET SCREW	X	X	X	X	X
10	446470	MOTOR GUIDE PIN MOUNTING BRACKET ASSEMBLY	X	X	X	X	X
11	313470-452	MOTOR GUIDE PIN MOUNTING BRACKET SCREW NUT	X	X	X	X	X
12	446473	MOTOR BELT TENSION SPRING	X	X	X	X	X
13	446475	MOTOR GUIDE PIN BUSHING	X	X	X	X	X
14	605087-001	HEAT SHIELD (FOR EUROPE)	X	X	X	X	X
15	179901	LIGHT SHIELD (WITHOUT GRAPHICS)	X	X	X	X	X
15	179910-451	LIGHT SHIELD WITH GRAPHICS	X	X	X	X	X
16		REFER TO CHARTS ON FOLLOWING PAGES					
17		REFER TO CHARTS ON FOLLOWING PAGES					
18	605600-001	TY RAP	X	X	X	X	X
19		REFER TO CHARTS ON FOLLOWING PAGES					
20	604018-003	MOTOR MODULE WASHER	X	X	X	X	X
21	603907-001	MOTOR MODULE NUT	X	X	X	X	X
22	988761-001	MOTOR PULLEY	X	X	X	X	X
23	113370-451	MOTOR MOUNTING PLATE SCREW	X	X	X	X	X
24	446476	MOTOR MOUNTING PLATE	X	X	X	X	X
25	353355	MOTOR MOUNTING PLATE GROMMET	X	X	X	X	X
26	446479	MOTOR MOUNTING PLATE ASSEMBLY	X	X	X	X	X
27	988887-001	MOTOR BELT SCREW CAP	X	X	X	X	X
28	113343-451	MOTOR BELT SCREW	X	X	X	X	X
29	179887	MOTOR BELT SCREW NUT	X	X	X	X	X
30	445539	MOTOR ADJUSTING SCREW LOCK NUT WASHER	X	X	X	X	X
31	353402-451	MOTOR ADJUSTING SCREW LOCK NUT	X	X	X	X	X
32	988768-001	LIGHT RECEPTACLE HARNESS (SURPRESSED) COMPLETE	X	X	X	X	X
33	353518-001	MOTOR BELT	X	X	X	X	X
34		REFER TO CHARTS ON FOLLOWING PAGES					
35		REFER TO CHARTS ON FOLLOWING PAGES					
36		REFER TO CHARTS ON FOLLOWING PAGES					
37		REFER TO CHARTS ON FOLLOWING PAGES					

From the library of: Diamond Needle Corp

ELECTRICAL EQUIPMENT

REF.	1 SPEED UNSURPRESSED	U.S	CANADA	EUROPE	GREAT BRITAIN
		(120V)	(120V)	(220V)	(240V)
3	LIGHT COMP.	NP0032-001	NP0032-001		
16	LIGHT SOCKET (ALT.)	NP0067-003	NP0067-003		
19	MOTOR COMPLETE	988759-001	988759-001		
20	SERIES MOTOR MODULE	988752-001	988752-001		
22	COMMUTATOR END	988760-002	988760-002		
37	CONTROLLER	988274-090	988274-090		
37	CONTROLLER (ALT.)	979314-013	979314-013		
40	SWITCH	988763-P01	988763-P01		
	<u>1 SPEED SURPRESSED</u>				
3	LIGHT COMP.			NP0032-002	NP0032-002
16	LIGHT SOCKER (ALT.)			-----	-----
19	MOTOR COMPLETE			988759-002	988759-003
20	SERIES MOTOR MODULE			988752-002	988752-003
22	COMMUTATOR END			988760-002	988760-002
37	CONTROLLER			988274-051	988274-055
37	CONTROLLER (ALT.)			979314-008	979314-009
40	SWITCH			988763-001	988763-001

From the library of: Diamond Needle Corp

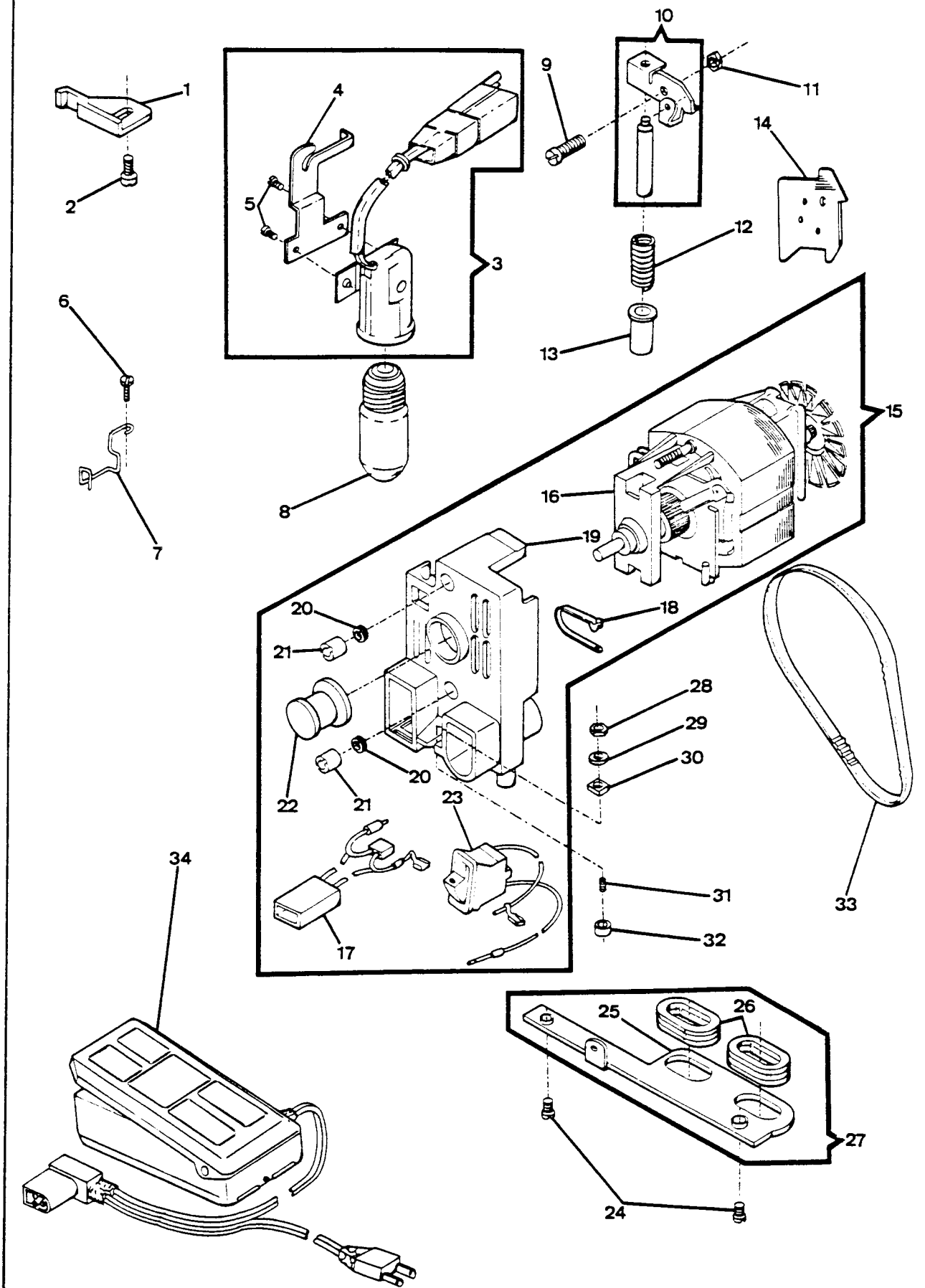
ELECTRICAL EQUIPMENT

		ASIA & AFRICA & SOUTH AMERICA	ASIA & AFRICA & SOUTH AMERICA	AFRICA & SOUTH AMERICA	AMEDO
REF.	1 SPEED UNSURPRESSED	FLAT BLADE (120V)	FLAT BLADE (220V)	ROUND PIN (120V)	ROUND PIN (120V)
3	LIGHT COMP.	NP0032-004	NP0032-004	NP0032-004	NP0032-004
16	LIGHT SOCKET (ALT.)	NP0067-003	NP0067-003	NP0067-003	NP0067-003
19	MOTOR COMPLETE	988759-XXA	988759-004	988759-XXA	988759-P03
20	SERIES MOTOR MODULE	988752-001	988752-004	988752-001	988752-P04
22	COMMUTATOR END	988760-002	988760-002	988760-002	988760-002
37	CONTROLLER	988274-100	988274-110	988274-097	988274-097
37	CONTROLLER (ALT.)	979314-005	979314-006	979314-003	979314-003
40	SWITCH	988763-001	988763-001	988763-001	988763-001
	1 SPEED SURPRESSED				
3	LIGHT COMP.				
16	LIGHT SOCKER (ALT.)				
19	MOTOR COMPLETE				
20	SERIES MOTOR MODULE				
22	COMMUTATOR END				
37	CONTROLLER				
37	CONTROLLER (ALT.)				
40	SWITCH - 2 SPEED				

ELECTRICAL EQUIPMENT

		AFRICA & SOUTH AMERICA	SOUTH AFRICA	AMEDO	AUSTRALIA
REF.	1 SPEED UNSUPRESSED	ROUND PIN (220V)	ROUND PIN (220V)	ROUND PIN (220V)	(240V)
3	LIGHT COMP.	NP0032-004		NP0032-004	
16	LIGHT SOCKET (ALT.)	NP0067-003		NP0067-003	
19	MOTOR COMPLETE	988759-004		988759-P04	
20	SERIES MOTOR MODULE	988752-004		988752-P04	
22	COMMUTATOR END	988760-002		988760-002	
37	CONTROLLER	988274-098		988774-098	
37	CONTROLLER (ALT.)	979314-004		979314-004	
40	SWITCH	988763-001		988763-001	
	1 SPEED SUPRESSED				
3	LIGHT COMP.		NP0032-005		NP0032-003
16	LIGHT SOCKET (ALT.)		----		----
19	MOTOR COMPLETE		988759-P02		988759-P01
20	SERIES MOTOR MODULE		988752-P02		988752-P01
22	COMMUTATOR END		988760-002		988760-002
37	CONTROLLER		988274-099		988274-057
37	CONTROLLER (ALT.)		979314-012		979314-010
40	SWITCH		988763-001		988763-001

From the library of: Diamond Needle Corp



PART LIST
ELECTRICAL EQUIPMENT 110V, SINGLE SPEED,
SUPPRESSED (JAPAN ONLY)

REF.	PART NBR	DESCRIPTION	5	5	5	5	5
			8	8	8	8	8
			0	0	0	0	1
			2	5	6	8	0
01	353411	LIGHT LEAD RETAINING CLIP	X	X	X	X	X
02	113504-451	LIGHT LEAD RETAINING CLIP MOUNTING SCREW	X	X	X	X	X
03	979148-001	LIGHT COMPLETE	X	X	X	X	X
04	979146-001	LIGHT SOCKET BRACKET	X	X	X	X	X
05	141913-451	LIGHT SOCKET MOUNTING SCREW	X	X	X	X	X
06	113455-001	LIGHT LEAD WIRE RETAINER MOUNTING SCREW	X	X	X	X	X
07	353247	LIGHT LEAD WIRE RETAINER	X	X	X	X	X
08	549887-003	LAMP	X	X	X	X	X
09	113372-451	MOTOR GUIDE PIN MOUNTING BRACKET SCREW	X	X	X	X	X
10	446470	MOTOR GUIDE PIN MOUNTING BRACKET ASSEMBLY	X	X	X	X	X
11	313470-452	MOTOR GUIDE PIN MOUNTING BRACKET SCREW NUT	X	X	X	X	X
12	446473	MOTOR BELT TENSION SPRING	X	X	X	X	X
13	446475	MOTOR GUIDE PIN BUSHING	X	X	X	X	X
14	179901	HEAT SHIELD	X	X	X	X	X
15	988759-005	MOTOR COMPLETE	X	X	X	X	X
16	988752-005	SERIES MOTOR MODULE	X	X	X	X	X
17	988768-002	LIGHT RECEPTACLE HARNESS (SUPPRESSED) COMPLETE	X	X	X	X	X
18	605600-001	TY RAP	X	X	X	X	X
19	988760-002	COMMUTATOR END COVER	X	X	X	X	X
20	604018-003	MOTOR MODULE WASHER	X	X	X	X	X
21	603907-001	MOTOR MODULE NUT	X	X	X	X	X
22	988761-001	MOTOR PULLEY	X	X	X	X	X
23	988763-P02	SWITCH WITH CONNECTOR AND CONTACT LEADS	X	X	X	X	X
24	113370-451	MOTOR MOUNTING PLATE SCREW	X	X	X	X	X
25	446476	MOTOR MOUNTING PLATE	X	X	X	X	X
26	353355	MOTOR MOUNTING PLATE GROMMET	X	X	X	X	X
27	446479	MOTOR MOUNTING PLATE ASSEMBLY	X	X	X	X	X
28	353402-451	MOTOR MOUNTING SCREW LOCK NUT	X	X	X	X	X
29	445539	MOTOR MOUNTING SCREW LOCK NUT WASHER	X	X	X	X	X
30	179887	MOTOR BELT SCREW NUT	X	X	X	X	X
31	113343-451	MOTOR BELT SCREW	X	X	X	X	X
32	988887-001	MOTOR BELT SCREW CAP	X	X	X	X	X
33	353518-001	MOTOR BELT	X	X	X	X	X
34	411837-001	CONTROLLER	X	X	X	X	X